

Welcome!

Thank you for purchasing the MINI-ME™ RT300-160 USB C to USB A cable retractor. We know you will find it easy to install, easy to use and easy to maintain.

Our goal is to provide our customers with unique Signal Management Solutions® for Audio Visual applications.

1. Precautions and Safety Warnings

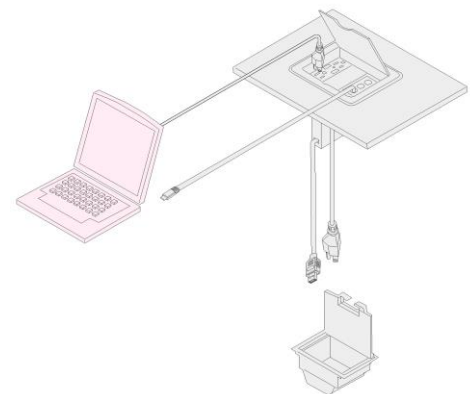
Please read this manual carefully before using MINI-ME RT300-160 USB Cable Retractor. Keep this manual handy for future reference. These safety instructions are to ensure the long life of your cable retractor and to prevent fire and shock hazards.

1.1 General

- The RT300-160 does not contain any user serviceable parts inside.
- Do not disassemble the unit. RT300-160 contains high-tension spring that can uncoil rapidly causing cutting hazard.
- Only qualified Altinex service personnel are allowed to perform cable retractor repairs. Removal of the warranty sticker will void the warranty.

2. Installation Procedures

- Step 1 Mount the RT300-160 onto the AC200-125 or AC221-125 mounting bracket and secure it with the four 4x40 screws provided.
- Step 2 Slide the mounting bracket onto the CNK200 or CNK221 exterior hooks and secure the thumbscrews with the wing nuts provided in the accessories.
- Step 3 Feed the retractable cable through the bottom of the CNK unit and the faceplate.
- Step 4 Connect the fixed cable to a display or a switcher
- Step 5 Refer to the CNK200 or CNK221 user guide for installation instructions.



1.2 Installation

- Use the RT300-160 USB cable retractor in a dry area away from dust and moisture.
- Do not place the RT300-160 USB cable retractor in direct sunlight, near heaters or heat-radiating appliances, or near any liquid. Exposure to direct sunlight, heat, and moisture will damage internal precision components.
- Handle the RT300-160 USB cable retractor with care. Dropping, straining, or shaking can damage internal components.
- Do not place heavy objects on top of the RT300-160 USB cable retractor.
- Follow installation instructions RT300-160 for optimum performance.

1.3 Cleaning

- Clean surfaces with a dry or slightly damp cloth. Do not use detergents or solvents.

3. Limited Warranty/Return Policies

Please visit Altinex website at www.altinex.com for details on warranty and return policies. If you have any questions, please call us at 1-800-ALTINEX or 714-990-2300.

4. Technical Specification

Specifications are subject to change. Please visit www.altinex.com for up-to-date specification

Features/Description	RT300-160
Inputs	
USB	USB C
Outputs	
USB	USB A (2.0)
Compatibility	
Tabletop enclosures	CNK200 & CNK221
Stand-alone mounting	Mounting holes with 4x40 threads are provided
Additional Accessories	
Mounting Hardware	AC200-125 for CNK200 AC221-125 for CNK221

Table 1 - RT300-160 General Specifications

Mechanical	RT300-160
Dimensions	
Height	4.8 in (122 mm)
Width	4.8 in (122 mm)
Depth	1.4 in (37 mm)
Other	
Normal Pull force	0.3 lb. (+/- 0.1)
End of the cable pull force	Max 10 lb. (+2 lb.) (Damage may occur if customer forces retract past the end of cable)
Weight	0.78 lbs. (0.353 kg)
Color	Black
Material	Plastic
T° Operating	10°C - 35°C
T° Maximum	50°C
Humidity	90% non-condensing
MTBF (tested)	10,000 retractions

Table 2 - RT300-160 Mechanical Specifications

Electrical	RT300-160
Cable Gauge	30AWG/26AWG 1 Pair/2 Conductors
Voltage Rating for Cable	30V
Power	none
Amplifier	none

Table 3 - RT300-160 Electrical Specifications

5. The MINI-ME RT300-160 USB Retractable Cable features

- Convenient, easy to install cable retraction system for CNK200, CNK221 interconnect box and stand alone.
- Simple operation for AV connectivity.
- USB 2.0 compliant cable.
- CNK200 supports four MINI-ME RT300-160 units.
- CNK221 supports two MINI-ME RT300-160 units.
- Tested to 10,000 retracts.



The RT300-160 offers a solution for managing USB type C to A cables. The cable assembly is designed to provide optimum performance. The RT300-160 has 4.0 ft. of retractable cable and 4 ft. of the fixed length cable. The cable and the retractor has been tested to over 10,000 extensions/retractions.

The AC200-125 and AC221-125 mounting hardware securely mounts the cable retractors to the CNK200 and CNK221 table top units. The cable has permanently attached strain relief for convenient usage with Altinex grommet CNK panels.



AC200-125 mounting bracket for the CNK200



AC221-125 mounting bracket for the CNK221

6. Application Diagrams

Diagram 1: Typical Setup

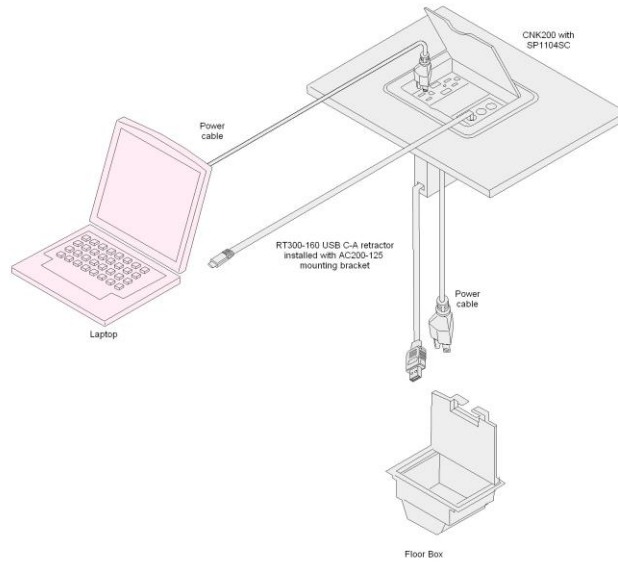


Diagram 2: Retractor Side Dimensions

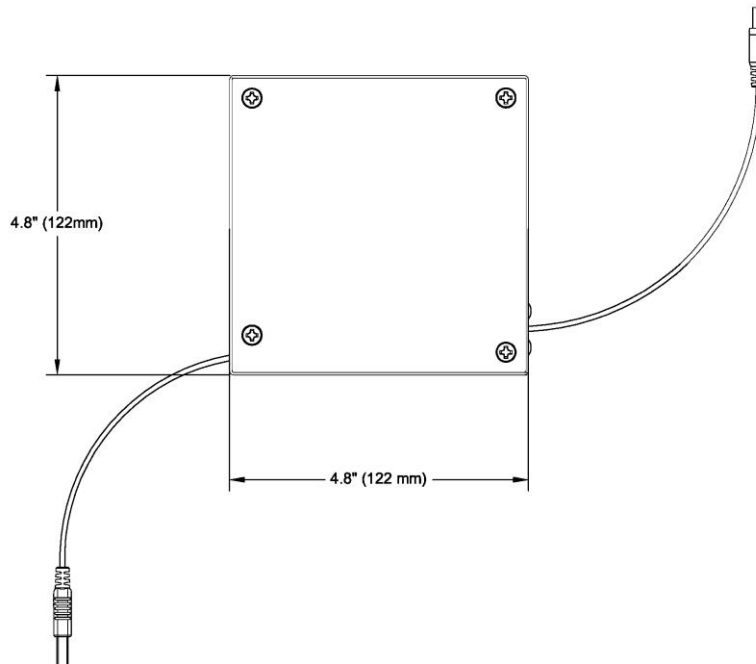


Diagram 3: Front Dimensions

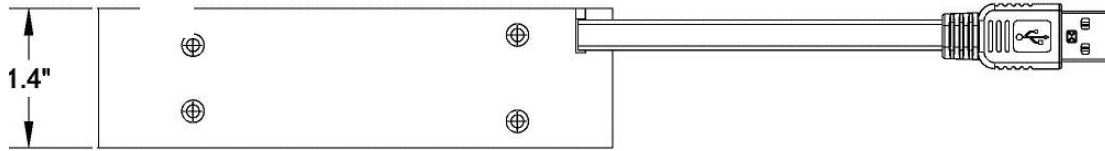


Diagram 4: Mounted on a CNK200 Front View

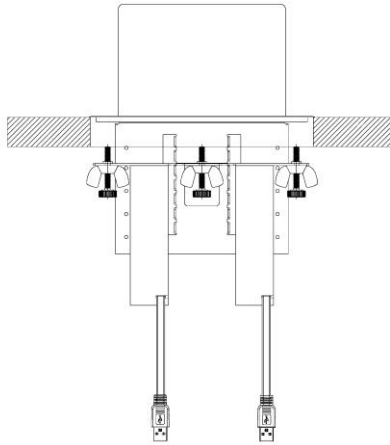


Diagram 5: Mounted on a CNK200 Side View

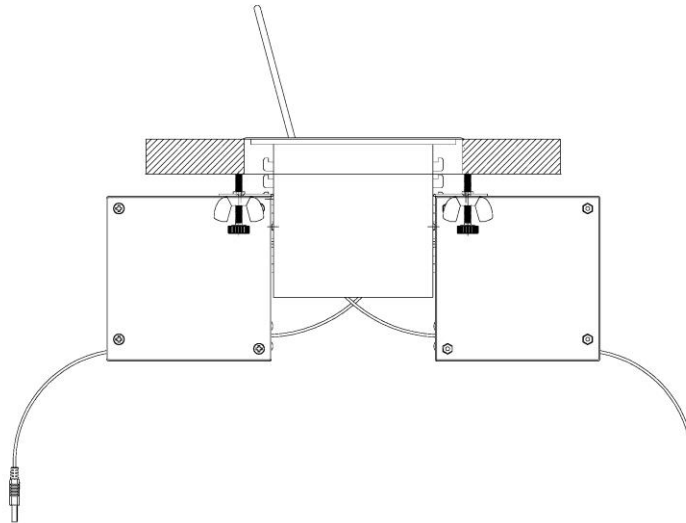


Diagram 6: Mounted on a CNK221 Front View

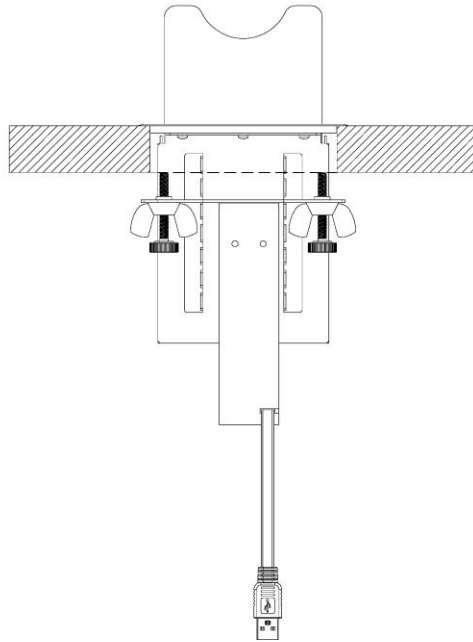
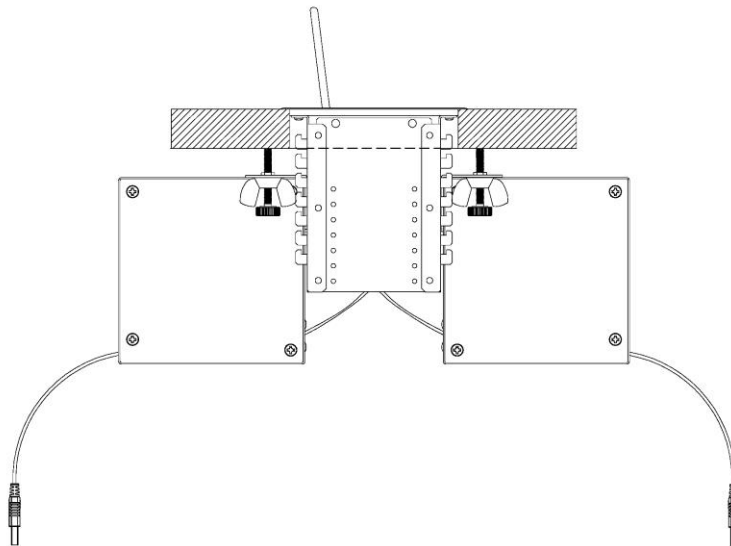


Diagram 7: Mounted on a CNK221 Side view



7. Operation

7.1 Accessing the RT300-160 USB Retractable Cable

After installation, no further configuration is needed. To connect, simply open the CNK bezel and pull on the retractable cable.

Connect to a desired source. When finished, disconnect the cable and gently pull and release cable and it will retract back into the bezel.

8. Troubleshooting Guide

The RT300-160 USB Retractable Cable supplied was carefully tested and no problems were detected. However, we would like to offer the following suggestions:

- Please make sure that the highest quality cables are used in addition to the retractable cable.
- Make sure that no cable or power cord is damaged or pinched. If there has been damage, do not use the CNK200 or the retractable cable. Please call the Altinex Customer Service Department at (714) 990-2300 to have the unit repaired.