

# CNK221/241/261/321/341/361 Cable-Nook® Jr. User's Guide

## Welcome!

We greatly appreciate your purchase of the Cable-Nook Jr. Interconnect Box. We are sure you will find it reliable and simple to use. Superior performance for the right price, backed by solid technical and customer support is what Altinex has to offer.

We are committed to providing our customers with Signal Management Solutions® to the most demanding audiovisual installations at competitive pricing and we welcome you to join the ranks of our many satisfied customers throughout the world.

## 1. Precautions and Safety Warnings

Please read this manual carefully before using your Tabletop Cable-Nook Jr. Interconnect Box. Keep this manual handy for future reference. These safety instructions are to ensure the long life of your Cable-Nook Jr. and to prevent fire and shock hazard. Please read them carefully and heed all warnings.

### 1.1 General

- Qualified Altinex service personnel, or their authorized representatives must perform all service

### 1.2 Installation Precautions

- For best results, place the Tabletop CNK Jr. Interconnect Box in a dry area away from dust and moisture.
- To prevent fire or shock, do not expose this unit to water or moisture. Do not place the Tabletop Cable-Nook Jr. Interconnect Box in direct sunlight, near heaters or heat-radiating appliances, or near any liquid. Exposure to direct sunlight, smoke, or steam can harm internal components.
- Handle carefully and never lay the CNK Jr. on the thin bezel. Dropping, jarring or striking may damage the bezel.
- Never place fingers inside the openings in the sides of the unit or along the bezel edges. The sharp edges may cause serious injury.

- Tabletop cutout dimensions and templates can be obtained from the Altinex website at [www.altinex.com](http://www.altinex.com).

### 1.3 Cleaning

- Surfaces should be cleaned with a dry cloth. Never use strong detergents or solvents, like alcohol or thinner. Do not use a wet cloth or water to clean the unit.

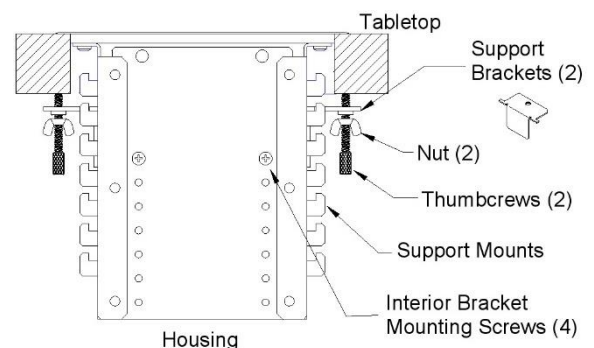
### 1.4 FCC Notice

- This device complies with Part 15 of the FCC Rules. Operation is subject to the following two conditions: (1) This device may not cause harmful interference, and (2) this device must accept any interference received, including interference that may cause undesired operation.
- This equipment has been tested and found to comply with the limits for a Class A digital device, pursuant to Part 15 of the FCC Rules. These limits are designed to provide reasonable protection against harmful interference when the equipment is operated in a commercial environment. This equipment generates, uses, and can radiate radio frequency energy and, if not installed and used in accordance with the instructions found herein, may cause harmful interference to radio communications. Operation of this equipment in a residential area is likely to cause harmful interference in which case the user will be required to correct the interference at his own expense.
- Any changes or modifications to the unit not expressly approved by Altinex, Inc. could void the user's authority to operate the equipment.

## 2. Installation Procedures

**CAUTION:** Do not handle the unit by the bezel's thin lip or lay it on its side. The thin bezel is very sharp and can be easily dented or bent. Handle by the housing portion only.

- Step 1. Cut an opening in the table's surface. Refer to [www.altinex.com](http://www.altinex.com) for table cutout dimensions and templates. The tabletop thickness must be 3 in [76 mm] or less. Always confirm dimensions before cutting to ensure that the specifications have not changed.
- Step 2. If needed, adjust the interior bracket mounts to the level you require by removing the two screws securing each bracket to the interior housing. Make sure both sides are at the same level.
- Step 3. Insert the Cable-Nook Jr. unit into the tabletop cutout. Place a mounting bracket with the thumbscrew installed into the support mounts on each side of the housing as shown. With the mounting brackets installed, turn the thumbscrews until the ends of the screws begin to push against the bottom of the table. Tighten the screws until the unit is secure. Do not over-tighten.



## 3. Limited Warranty/Return Policies

Please see the Altinex website at [www.altinex.com](http://www.altinex.com) for details on warranty and return policies.

## 4. Technical Specifications

Specifications are subject to change. See [www.altinex.com](http://www.altinex.com) for up-to-date information.

Features/Description	CNK Jr.
<b>CNK221</b>	
Interior Mounting Brackets	4-40, 0.25" spacing (x13)
<b>CNK241</b>	
Interior Brackets	4-40, 0.25" spacing (x13)
Retaining Rails	3.5" x 0.4" (x5)
Pass-through AC 9-10 ft. (2.7-3.0 m)	NEMA F (2) to M (1)
<b>CNK261</b>	
Interior Brackets	4-40, 0.25" spacing (x13)
Retaining Grommet	0 .45" I.D. (x2)
Pass-through AC 9-10 ft. (2.7-3.0 m)	NEMA F (2) to M (1)
<b>CNK321</b>	
Interior Mounting Brackets	4-40, 0.25" spacing (x13)
Illuminated Display Select	Dual Controls terminated in a 5-pin Term. Block
<b>CNK341</b>	
Interior Brackets	4-40, 0.25" spacing (x13)
Illuminated Display Select	Dual Controls terminated in a 5-pin Term. Block
Retaining Rails	3.5" x 0.4" (x5)
Pass-through AC 9-10 ft. (2.7-3.0 m)	NEMA F (2) to M (1)
<b>CNK361</b>	
Interior Brackets	4-40, 0.25" spacing (x13)
Illuminated Display Select	Dual Controls terminated in a 5-pin Term. Block
Retaining Grommet	0 .45" I.D. (x2)
Pass-through AC 9-10 ft. (2.7-3.0 m)	NEMA F (2) to M (1)

Table 1. Cable-Nook Jr. Description

Mechanical	CNK Jr.
<b>All CNK Jr.'s</b>	
Maximum Table Thickness	3.0 in (76 mm)
Height (above surface)	2.7 in (67 mm)
Height (below surface)	4.8 in (121 mm)
<b>Standard CNK Jr.'s</b>	
Bezel Width CNK221/241/261 CNK321/241/261	4.6 in (117 mm) 5.4 in (137 mm)
Bezel Depth	4.9 in (124 mm)
<b>Custom Round Bezel</b>	
Bezel Dia.*	5.8 in (146 mm) *
<b>Stackable Option **</b> (not available with Display Select)	
Stackable Bezel Depth	4.40 in (112 mm)
Stackable Bezel Width	4.10 in (104 mm)
Frame Depth	5.12 in (130 mm)
Frame Width, 2-Up	9.18 in (233 mm)
Frame Width, 3-Up	13.55 in (344 mm)
Frame Width, 4-Up	17.91 in (455 mm)
<b>All CNK Jr.'s</b>	
Standard Finish	Matte Black
Alternative Finish	Brushed Aluminum
T° Operating	10°C-35°C
T° Maximum	50°C
Humidity	90% non-condensing

Table 2. Cable-Nook Jr. Mechanical

Electrical (dual outlet module)	CNK241/261/341/361
Power Rating (pass-through AC power)	120VAC, 60Hz, 12A Total Current

Table 3. Cable-Nook Jr. Electrical

\* A round bezel option is available for the CNK221/241/261; it is available in black anodized or clear aluminum.

\*\* Stackable units substitute the standard bezel with a flat edge, stackable bezel only suitable for frame mounting. The frame requires a custom cutout based on the frame size; 2-up, 3-up, or 4-up.

### 5. About Your Cable-Nook Jr. (CNK Jr.)

- Easy installation into tabletop
- Convenient access to cable ends or fixed connectors
- Modular configuration: more room for additional connectors
- Simple, cost-effective interconnect solution
- 12 Amp AC module with 9.5 ft. (2.9 m) power cord on CNK241/261/341/361
- Wide variety of custom plates available

The CNK Jr. interconnect box is designed for installation into a conference room or boardroom table. The CNK Jr. provides a means of connecting audio, video, and other multimedia sources into a presentation system. It is ideal for use with Altinex computer video interfaces or distribution amplifiers. It provides a simple yet effective way of storing and hiding cables, eliminating the obstruction. Cables remain connected to a presentation system, enabling the user to connect them to different media sources needed for a presentation. After the presentation, the cables are returned to the nook for safe storage.

The CNK Jr. is designed for use with tabletops up to three inches thick. Optional insert plates are available to secure the cable ends or to add connections for a variety of multimedia and power cables. The insert plates can be adjusted to fit a variety of cable sizes. The height of the insert plates can also be adjusted by changing the height of the interior bracket mounts in the Cable-Nook Jr.

#### CNK221/241/261

The CNK221 is an empty enclosure with only the interior mounting brackets; select from a wide variety of Altinex custom plates, or design and build your own custom panels. The CNK241 is preconfigured with a dual AC power module and 5 retaining rails that can be adjusted to hold up a wide variety of cable types. The CNK261 is preconfigured with a dual AC power module and 2 cable retainer grommets specifically designed to be used with Altinex retractable cables.

#### Stackable Bezel

The CNK221/241/261 come standard with a mounting bezel. One CNK Jr. is installed in one table cutout. If more CNK Jr.'s are needed in a limited space, stackable bezels come in 2, 3, and 4-up options. A single cutout is required for the stackable bezel. The stackable CNK Jr.'s ship with a flat bezel that drops easily in to the bezel. See Diagram 4 for dimensions.

#### CNK321/341/361 – Display Select

Building upon the 200 series, the 300 series offers the same options but utilizes an extended bezel with built-in, two-button illuminated display selection. The display select feature is designed to control the Altinex UT260-052 Under Table HDMI switcher making presentations simple and easy to use. However, the display select controls may be used to control other equipment.

Each CNK321/341/361 user can select which display receives their laptop image. The user selects output 1, output 2, or both outputs. The combination of CNK321/341/361 with UT260-052 provides an exceptional collaborative presentation environment where up to 5 individuals can present ideas and data using a single set of shared LCD panels or other display devices.



CNK Jr. Enclosure



CNK261



CNK241



Diagram 2: Dimensions for CNK221/241/261

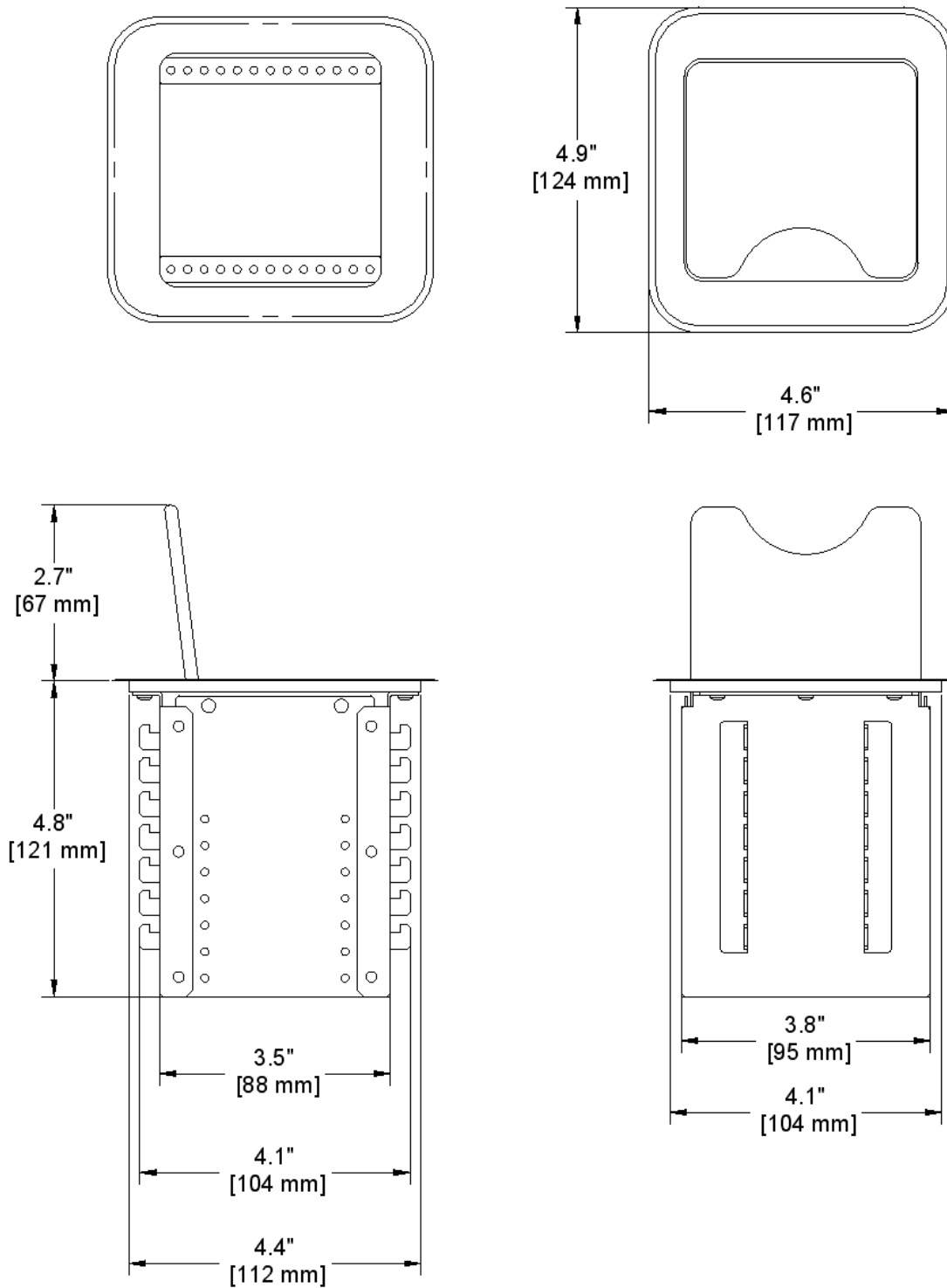


Diagram 3: Dimensions for CNK321/341/361

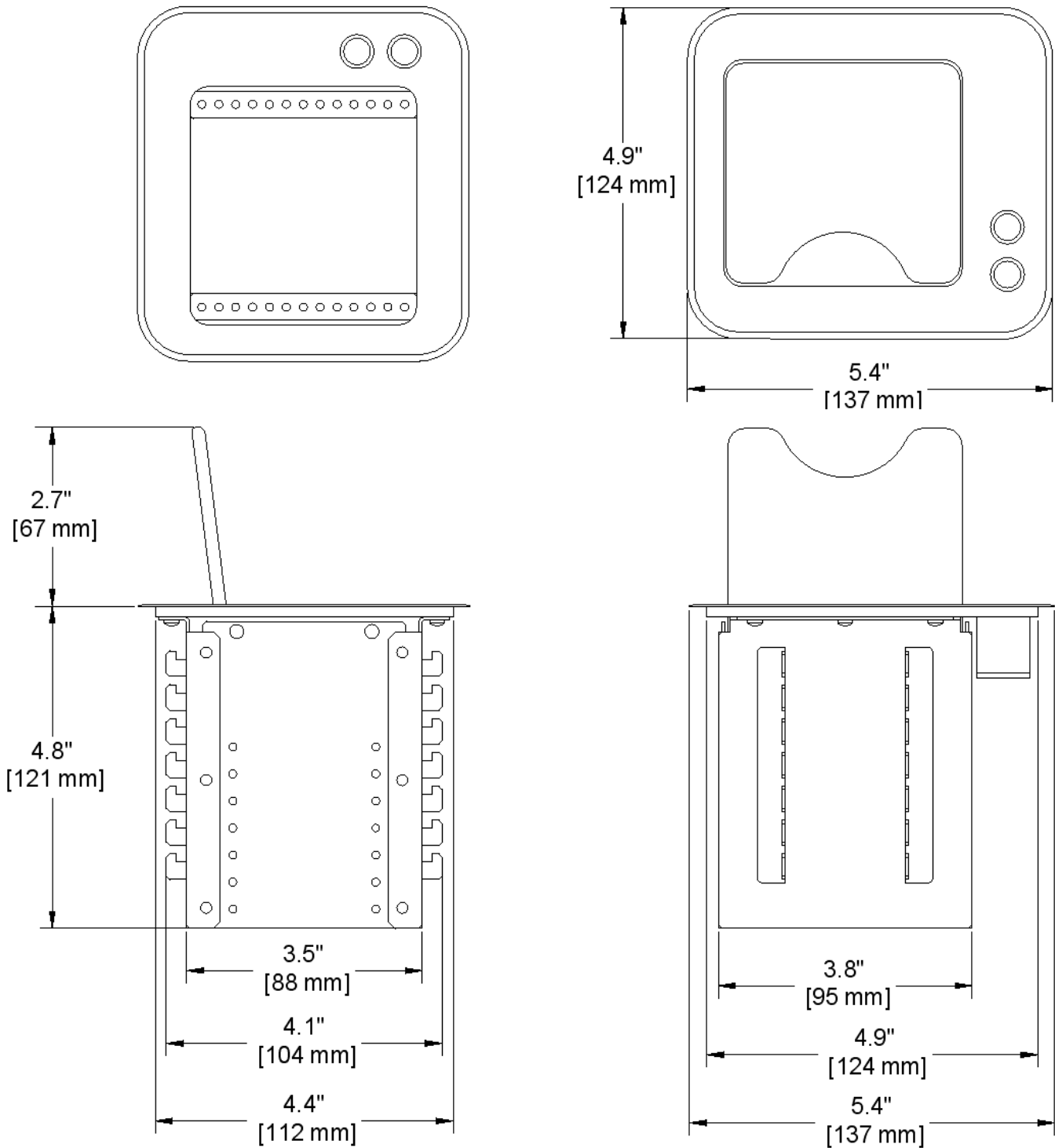
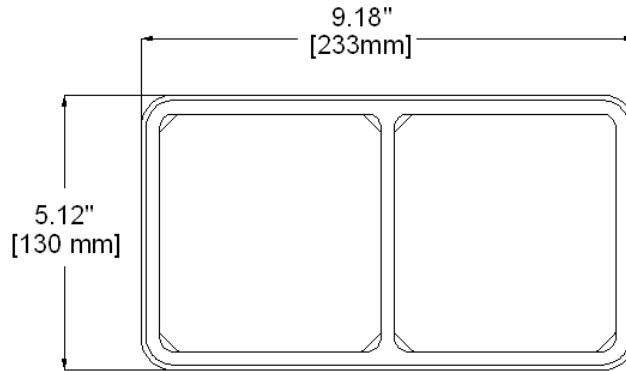
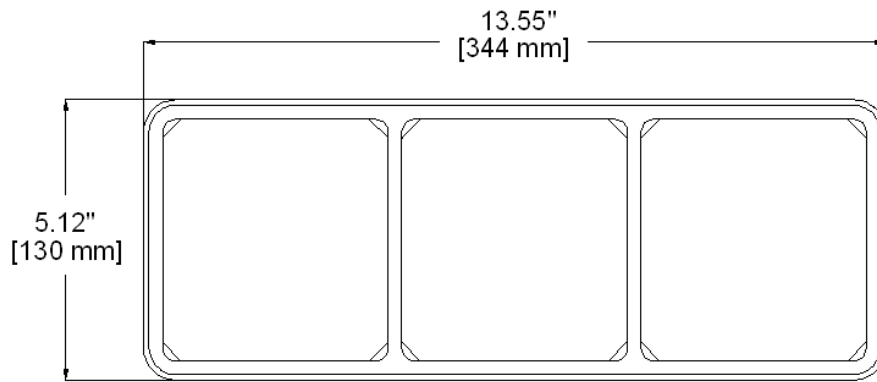


Diagram 4: Dimensions for Stackable Bezels

2-Up: CM12462 Black, CM12472 Silver



3-Up: CM12463 Black, CM12473 Silver



4-Up: CM12464 Black, CM12474 Silver

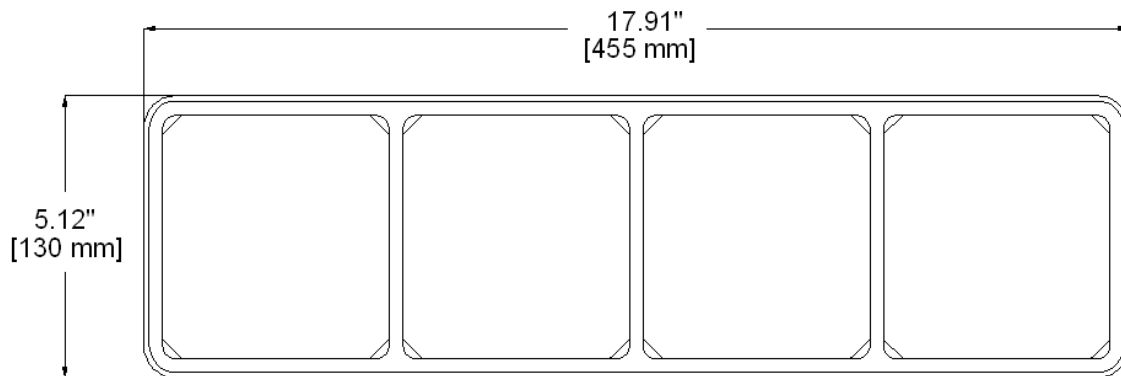
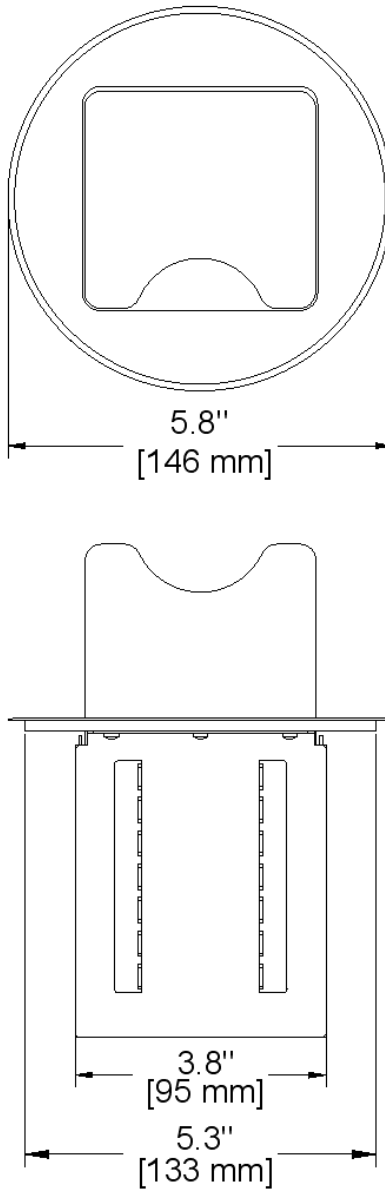


Diagram 5: Dimensions for Round Bezel

Round Bezel: CM12395 Black, CM12396 Silver





### 7. Operation

#### 7.1 Opening and Closing the Cable Nook Jr.

Lift the Cable-Nook Jr.'s cover to install or route cables. If the cables need to be connected while the lid is closed, route the cables through the open space in the front of the lid. Unconnected cables may be stored inside the Cable-Nook Jr. until they are needed.

#### 7.2 Power/Signal Connections

Connect external devices to the appropriate cable from the Cable Nook Jr. Remember, the devices plugged into the AC power connectors should not draw more than 12A AC.

---

CNK321/341/361 ONLY

---

#### 7.3 Output/Display Select

Connect the Display Select cable with terminal block connector to the input of the UT260-052 Under-Table Switcher.

The UT260-052 can be configured for various modes of operations. The output-select buttons behave differently depending on the precise configuration. In the default configuration, the output-select buttons have the following behavior:

##### **CNK321 with No Video Signal Applied:**

Pressing either output select button "wakes up" the system up, turns on the display, and then directs the video from Input 6 (internal media player) to all outputs. Input 6 is typically used for a logo, screensaver, or demonstration video.

##### **CNK321 with Video Signal Applied:**

As soon as the UT260-052 detects a video signal, the system "wakes up", turns on the display, and switches Input 6 (internal media player) to all outputs. Input 6 is typically used for a logo, screensaver, or demonstration video.

Press Output Select 1 button to direct the audio and video from the CNK321/341/361 to Outputs 1. Press the Output Select 1 button a second time while its LED is on to switch the input from the CNK Jr. back to Input 6 on the UT260-052. Output Select 2 operates the same except it directs the audio and video to Output 2.

### 8. Troubleshooting Guide

#### Warning

Make sure no cable or power cord is damaged or pinched. If there has been damage, do not use the Cable Nook Jr. Please call the Altinex Customer Service at (714) 990-2300 for repair.

The Cable Nook Jr. supplied was carefully tested and no problems were detected. However, we would like to offer the following suggestions:

<b>CNK321/341/361</b>	
<b>Symptom</b>	<b>Resolution</b>
No Display on Projector or Monitor	<ol style="list-style-type: none"> <li>1. Check the source and make sure there is a signal present.</li> <li>2. Make sure the projector has power and is turned on. If the projector power is controlled by the switcher through RS-232 control, make sure the cables are connected and the correct codes have been selected.</li> <li>3. Make sure the correct input is selected at the CNK Jr.</li> </ol>
Poor Output Image	<ol style="list-style-type: none"> <li>1. The source resolution may not be compatible with the display device. Try other resolutions from the source.</li> <li>2. The source and display may not be compatible. Connect the source directly to the input of the display device. If the image is poor the devices may be incompatible.</li> <li>3. Use high-quality cables, especially if making long cable runs. Cable quality does affect image quality.</li> </ol>
No Sound	<ol style="list-style-type: none"> <li>1. Make sure the amplifier or speakers are connected to the speaker output on the switcher.</li> <li>2. Make sure an input is selected and that the input has audio playing.</li> <li>3. The output audio plays the audio from the last selected source. Make sure the last selected source has audio playing.</li> <li>4. Increase the source volume.</li> <li>5. Some audio sources require amplification to be heard on overhead speakers. Check the audio level and make sure the source level is compatible with the speakers.</li> </ol>