

Welcome!

Everyone at Altinex greatly appreciates your purchase of the ShareTime Retractable HDMI cable. We are confident that you will find it to be reliable and simple to use. If you need support, please do not hesitate to call us at 714-990-2300.

At Altinex, we are committed to developing unique and state of the art Signal Management Solutions® for demanding audiovisual installations. Welcome to the Altinex family of satisfied customers around the world!

1. Precautions and Safety Warnings

Please read the manual entirely before using your ShareTime. You can download a full version of this manual at www.altinex.com. These safety instructions are to ensure the reliable operation of your ShareTime and to prevent fire and shock hazards. Please read carefully and heed all warnings.

1.1 General

- ShareTime RT300-101 contains a micro USB programming connector that allows users to update the firmware of their unit when additional capabilities are developed by our engineering team.
- ShareTime RT300-101 contains a Li-Ion battery to provide the desired features and capabilities.

1.2 Installation Precautions

- To prevent fire or shock, do not expose this unit to water or moisture. Do not place the ShareTime RT300-101 in direct sunlight, near heaters or heat-radiating appliances, or near any liquid. Exposure to direct sunlight, smoke, or steam can harm internal components.
- Handle the unit with care. Dropping or jarring can cause damage.

2. Installation Procedures

- Step 1 Mount the RT300-101 onto the AC200-125 or AC221-125 mounting bracket and secure it with the four 4x40 screws provided.
- Step 2 Slide the mounting bracket onto the CNK200 or CNK221 exterior hooks and secure the thumbscrews with the wing nuts provided with the accessories.
- Step 3 Feed the retractable cable through the bottom of the CNK and the faceplate.
- Step 4 Connect the fixed cable to a display or a switcher
- Step 5 Refer to the CNK200 or CNK221 user guide for additional installation instructions.

The RT300-101 is now ready for operation. Section 7 of this manual will explain how to setup configuration button user features and operational features through the circular touchpad just once.

3. Warranty and Return Policies

Please visit the Altinex website at www.altinex.com for details on warranty and return policies. In the case of a unit needing repair, please fill out the RMA (return material authorization) form located on the bottom left hand corner of the Altinex homepage. Once filled out, please email the form to support@altinex.com.

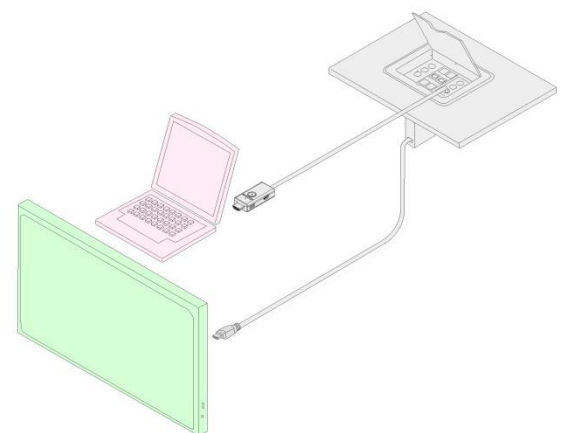
- Do not abusively pull any cables that are attached to the RT300-101. Hold the RT300-101 firmly.

1.3 Cleaning

- Clean the ShareTime RT300-101 with a dry cloth only. Never use strong detergents or solvents such as alcohol or thinner. Do not use a wet cloth or water to clean the connectors.

1.4 FCC Notice

- This device complies with Part 15 of the FCC Rules. Operation is subject to the following two conditions: (1) This device may not cause harmful interference, and (2) this device must accept any interference received, including interference that may cause undesired operation.
- This equipment has been tested and found to comply with the limits for a Class B digital device, pursuant to Part 2 of the FCC Rules. These limits are designed to provide reasonable protection against harmful interference when the equipment is operated in a commercial environment. This equipment generates, uses, and can radiate radio frequency energy and, if not installed and used in accordance with the instructions found herein, may cause harmful interference to radio communications. Operation of this equipment in a residential area is likely to cause harmful interference in which case the user will be required to correct the interference at their expense.
- Any changes or modifications to the unit not expressly approved by Altinex, Inc. could void the user's authority to operate the equipment.



4. Technical Specifications

Specifications are subject to change due to continuous product developments. See www.altinex.com for up-to-date information.

Features/Description	Specification
RT300-101	
Output	
Output Connectors	HDMI F, Type A
Input	
Input Connectors	HDMI M, Type A
Compatibility	
Signal Types	HDMI
Signal resolution	Standard HDMI resolutions
Agency Approval	
FCC/EU	CE, FCC Class A
Additional Accessories	
Mounting Hardware	AC200-125 for CNK200 AC221-125 for CNK221

Table 1. RT300-101 General

Mechanical	Specification
Material	ABS Plastic
Color	Black
Collaborative Display Controller	
Height	0.58 in (14.7 mm)
Width	1.08 in (27.4 mm)
Depth	2.20 in (55.9 mm)
Retractable Cable Housing	
Height	4.8 in (122 mm)
Width	4.8 in (122 mm)
Depth	1.4 in (37 mm)
Total Weight	0.85 lb. (0.39 kg)
Normal Pull Force	0.3lb (+/-0.1)
End of the cable pull force	Max 10lb (2lb) (Damage may occur if customer forces retract past the end of cable)
Retractable Cable Length	4 ft. (1.22 m)
Fixed Cable Length	4 ft. (1.22 m)
T° Operating	10°C-35°C (50°F-95°F)
T° Maximum	50°C (122°F)
Humidity	90% non-condensing
MTBF (tested.)	68,000 hrs.

Table 2. RT300-101 Mechanical

Electrical	Specification
Cable Gauge	36AWG
Voltage Rating for Cable	30V
Video Output Signal	
Digital Impedance	100Ω
Digital Signal Level	Pass-through
Power	
5V DC	25 mW
Amplifier	Built in for 1080p

Table 3. RT300-101 Electrical

Color	Shutdown Time
Pink	Never
Green	30 seconds
Blue	1 minute
Yellow	2 minutes
Cyan	5 minutes

Table 4. RT300-101 LED pattern

HDMI, the HDMI Logo, and High Definition Multimedia Interface are trademarks or registered trademarks of HDMI Licensing LLC in the United States and other countries.

5. About Your RT300-101

- Easy collaborative control of display input switching
- Automatically powers display ON and OFF by touch
- HDMI compliant retractable cable with internal boost
- Compact design allows for easy plug & play
- Use as many collaborative controllers as the number of HDMI inputs available
- Compatible with all switchers and displays that comply with CEC commands
- Combined benefits of a collaborative display controller and a retractable cable

The RT300-101 Retractable HDMI cable is a revolutionary HDMI collaborative display controller that allows cooperative control of with a retractable cable feature. Having multiple RT300-101 Retractable HDMI cables allows multiple users to connect to one display and work together as they seamlessly switch between multiple sources, allowing for collaborative teamwork and cable organization. . The HDMI cable contains built-in amplifier to maintain HDMI signal integrity. The RT300-101 has 4.0 ft. of retractable cable and 4 ft. of the fixed length cable. The cable and the retractor has been tested to over 10,000 extensions/retractions.

In a typical application, users would connect the fixed HDMI cable to a monitor input and then connect a retractable cable to the source. As soon as the ShareTime compact unit is plugged into an HDMI laptop output, a white light flashes to indicate the input number. The LED then turns a solid green and the video is displayed on the TV.

If the monitor is in stand-by mode, the RT300-101 will automatically turn it ON and select the proper input to assure that the image is properly displayed. Any number of ShareTime units can be used together to form a collaboration station with a single monitor. The RT300-101 constantly monitors its environment by default. When the last RT300-101 is disconnected from the HDMI source, the TV will turn OFF after the configured shutdown time.

The RT300-101 can easily be used with any CEC compatible switchers to create a larger multiuser collaborative solution. Its small and compact design allows users to have an easy plug and play experience with instant collaboration. With the launch of the UT260-041 and UT260-052 under table HDMI switchers, the RT300-101 is a great addition to the overall collaborative experience.



AC200-125 mounting bracket for the CNK200



AC221-125 mounting bracket for the CNK221

6. Application Diagrams

Diagram 1: Typical Setup

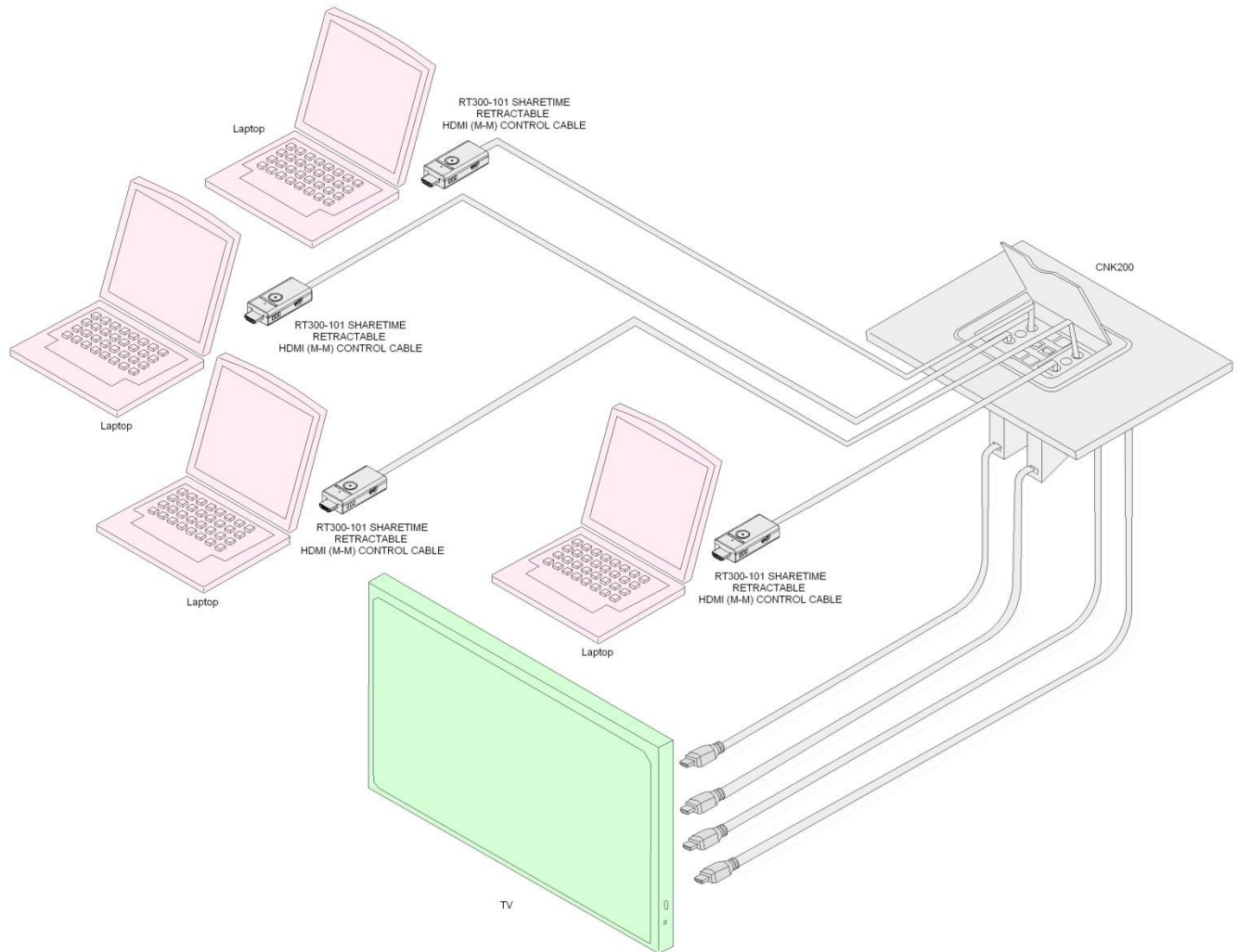


Diagram 2: RT300-101 Internal View

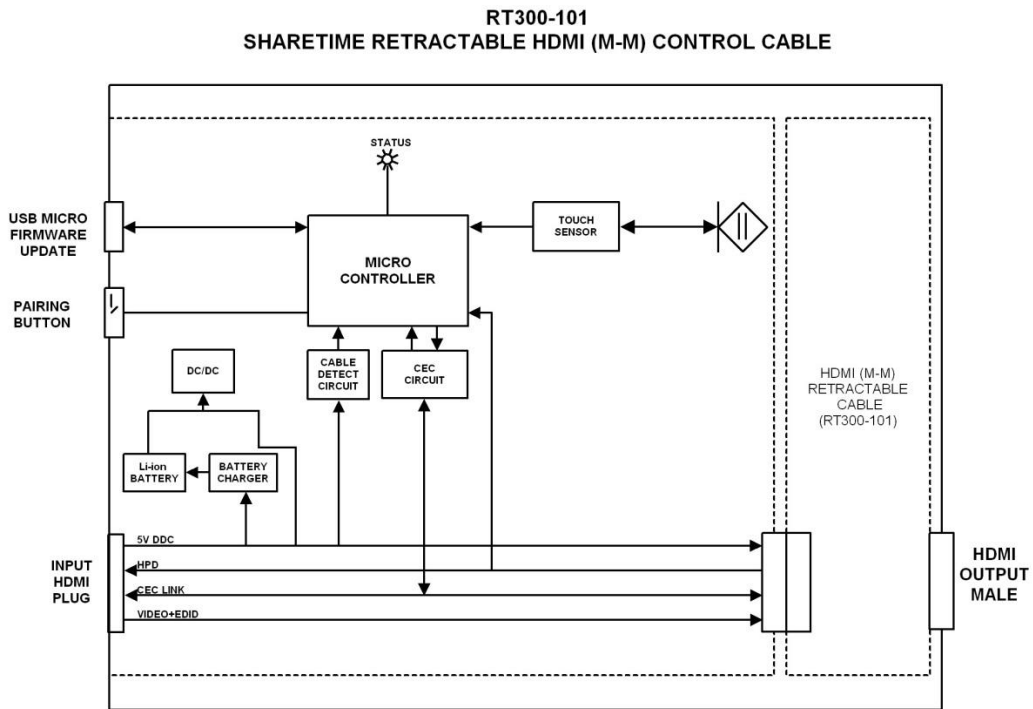


Diagram 3: RT300-101 Dimensions

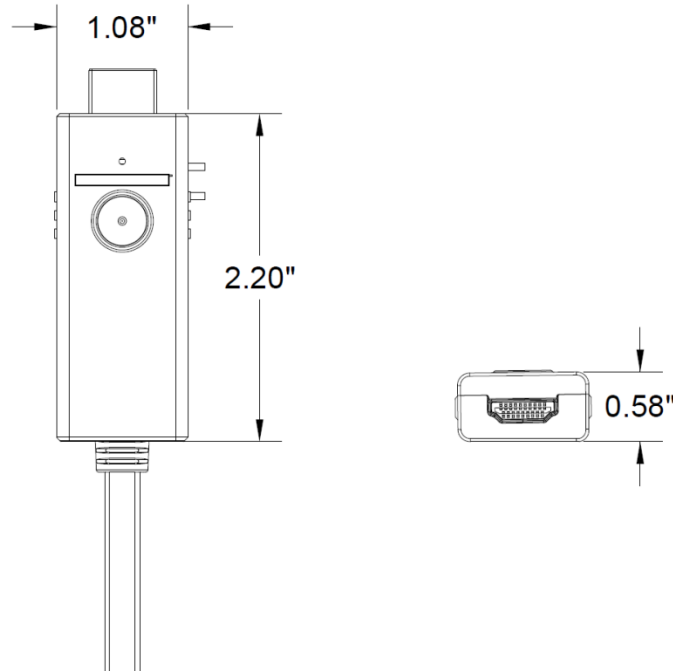


Diagram 4: RT300-101 front dimensions.

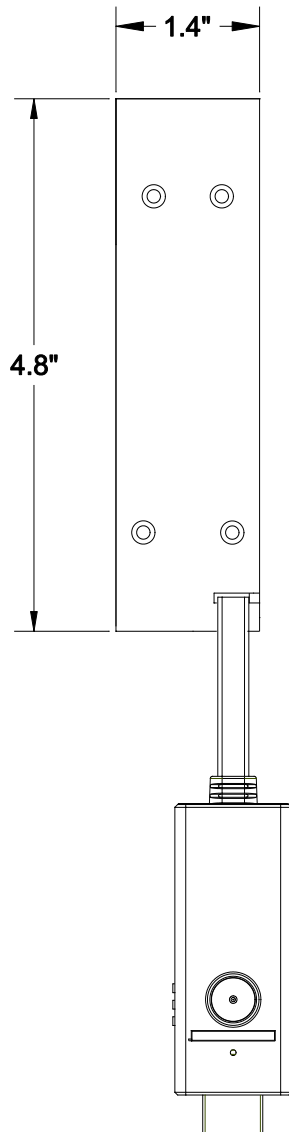
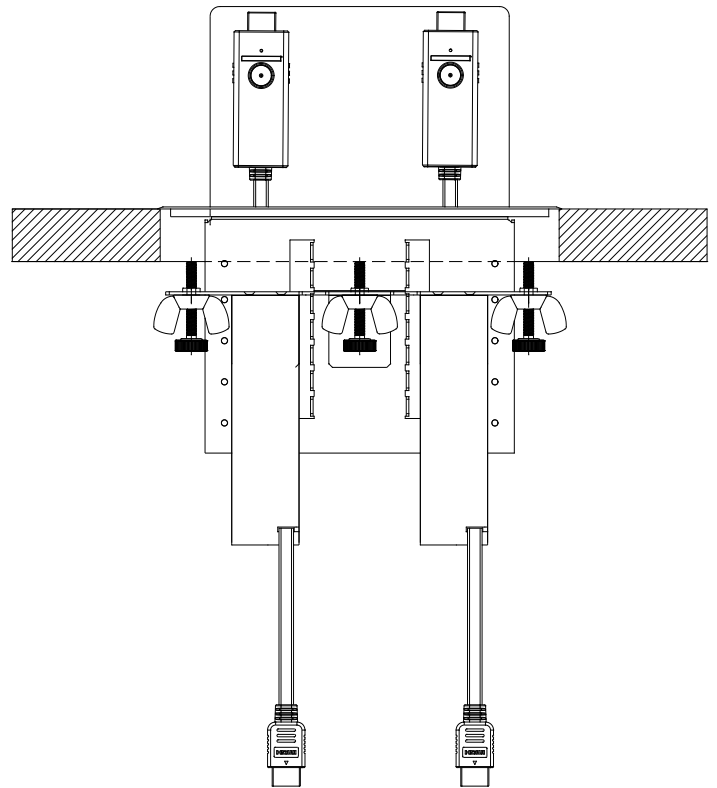


Diagram 5: RT300-101 mounted on a CNK200



7. Operation

Getting Started

After pulling the cable towards the source and plugging the RT300-101 into a laptop HDMI source, the RT300-101 will communicate which input it is connected to through the numbers of times the LED flashes white. The number of flashes corresponds to the input number (one flash indicates input one, two flashes indicate input two, and so forth).

Note: If there is a problem reading the input, the LED flashes magenta until successful. If the LED flashes for more than 10 seconds, there is most likely a problem with the cable or the TV does not support CEC.

After a few seconds, the LED turns a solid green and the video is displayed. If in standby mode, the RT300-101 LED will automatically turn a solid green when plugged into a laptop HDMI source.

In order to manually turn the display OFF, press and hold the circular touchpad. The LED flashes red after about 5 seconds and then becomes a solid red after another 5 seconds. When the LED turns a solid red, release the touchpad. At this point, the RT300-101 will turn the monitor OFF. To turn the monitor back ON, unplug the RT300-101 from the HDMI source and plug it back in.

Unplugging the RT300-101 from the HDMI source will start the shutdown timer. A green LED will flash briefly every second of the countdown timer. Under its own power, the cable will retract back. For better longevity, it is recommended to guild the cable back

Note: If other RT300-101 units are active, the RT300-101 will shut down after a few seconds and there will be no power off from that RT300-101.

A RT300-101 unit with a solid white LED signals that a source is present but not displayed on the TV. Touch and release the touchpad of a RT300-101 unit to turn the LED green and display the video on the TV. When this switching occurs, if another RT300-101 was displayed on the TV previously, its LED will turn white and its video will no longer be present.

Remote Control

To shut down all RT300-101 units immediately, a remote control can be used to turn OFF the TV. After shutting down the TV, the RT300-101 units must be disconnected from the source and then reconnected to start the TV. The RT300-101 units also reflect the changes made when a user changes the input with a TV remote control.

Notes: If the RT300-101 units are in standby mode and a remote control is used, the units will shut down immediately and there will be no countdown to turn OFF the TV.

Touchpad Features

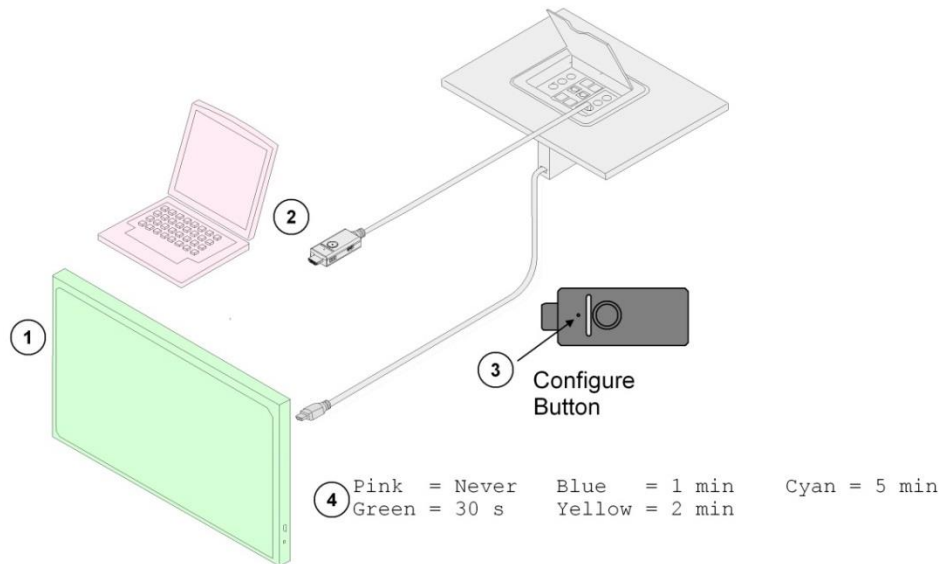
The circular touchpad has many additional new features in addition to setting a source as active. Holding it down for a number of seconds and initializing different color allows different actions. Holding it down for a number of seconds and initializing different color allows different actions. Upon release while flashing red or no LED present, returns the collaborative controller back to normal operation with no changes. Upon releasing it while a solid red will turn off TV if TV has CEC compatibility. TV detection can be enabled or disabled with an active source. While enabled, the CEC controller will constantly send a signal so that when that input is selected, that RT300-101 will be set as active source. Even if the collaborative controller is switched to another input.

Action	LED	Upon Release
Touch and Release	Green*	Set as active source
Hold +3 sec	Flash Red	Return to normal operation
Hold +2 sec	Red	Turn off TV
Hold +8 sec	Blue	Enable TV detection when active and reset
Hold +11 sec	Yellow	Disable TV detection when active and reset
Hold +14 sec	OFF	Return to normal operation

* If configured for UT240-041 LED toggles active/inactive

Configuration Button Setup

- Step 1. Make sure CEC capability and standby mode is enabled on the monitor. Some monitors have it defaulted to OFF.
- Step 2. Plug the RT300-101 into the laptop HDMI source. The LED flashes white to indicate the input number and green to indicate that the video is on the display. At this point, if the TV is OFF it turns ON.
- Step 3. To configure the RT300-101 shutdown time, press the configuration button with a paper clip.
- Step 4. The various flashing colors represent the choices available. To select a time, wait for the desired color to start blinking and then press the button again. The LED turns solid on the selection.



Configuration Button Features

The configuration button also has additional features that when pressed down and released indicate several configuration settings currently saved internally the collaborative controller. A quick press and release will have the LED indicate the current TV off time and then allow for selection of a new TV off time. Release when the LED is blue will flash the version number. Releasing while yellow, flashes the physical address of the collaborative controller within the system. For example, the physical address 1.2.0.0 indicates that the collaborative controller is connected to input 2 of a HDMI interface that leads to the input 1 of the destination. Red would flash twice, while blue would flash once, followed by quick flashes from green and yellow indicating zero. For a press and release while in cyan, it will either flash red or green indicating a failure or a pass in the internal CEC circuit of the collaborative controller. While holding down the configuration button, if the LED turns off, it is safe to return to normal operation with no changes.

Action	LED	Upon Release
Press and Release	ON	The LED turns on to indicate the current TV off time and then the LED starts flashing to allow TV off time selection
Hold 2 sec	Blue	Flash version number of times; the color and flashes vary by version
Hold 4 sec	Yellow	Flash the physical address. Physical address = A.B.C.D. A = Blue B = Red C = Green D = Yellow
Hold 6 sec	Cyan	Test the CEC in circuit. The LED flashes green 3 times indicating the circuit is working; red if there is a failure
Hold 8 sec	Red	Set select plus de select operation then reset. **
Hold 10 sec	Pink	Set for active operation only; no de-select. **
Hold 12 sec	OFF	Return to normal operation; no changes.

** Reset upon selection

Updating Firmware:

1. Download and install the firmware update from www.altinex.com.
2. Connect ShareTime to a PC using USB Type A to Micro USB. Once connected, the LED turns a solid color and then briefly turns OFF. The RT300-101 then flashes the appropriate number of times corresponding with a color to notify the user what version they currently have.

4	5	6	7	8
Blue	Yellow	Pink	Cyan	Green

After this notification, the LED will again briefly turn off and then becomes a solid color depending on current firmware loaded.

3. When the LED is a solid color, launch the update the application.
4. Select Program from the menu to run the application.
5. After the update is complete, the LED flashes blue once more to indicate the NEW version number.
6. Disconnect the USB cable from the RT300-101 and remove from the source, if connected. Wait 3 seconds and reconnect to the HMDI source.
7. ShareTime is now ready with new firmware.



8. Troubleshooting Guide

We have carefully tested the RT300-101 prior to it leaving the factory. However, we would like to offer suggestions for the following:

RT300-101	
Symptom	Resolution
LED does not turn on	Make sure that the unit is fully inserted into the HDMI connector and that the video output is set up to mirror the display of the laptop.
Display does not turn ON	<ol style="list-style-type: none"> 1. Make sure the display has powered OFF. During power OFF, the sequence monitor may not understand the power ON command. 2. Connect the RT300-101 first to the display, using an HDMI cable, and then connect RT300-101 to your laptop. 3. The display may not be CEC compatible.
Cable does not retract	<ol style="list-style-type: none"> 1. Guild the retractable cable and make sure nothing is denying the retraction. 2. Contact Altinex Technical Support at (714)990-2300 for warranty/none warranty repair