

Welcome!

We greatly appreciate your purchase of the DS901-120/121 Sectional Plate for PNP415/417C Interconnect Box. We are sure you will find it reliable and simple to use. Superior performance for the right price, backed by solid technical and customer support is what ALTINEX has to offer.

We are committed to providing our customers with Signal Management Solutions® to the most demanding audiovisual installations at very competitive pricing and we welcome you to join the ranks of our many satisfied customers throughout the world.

1. Precautions and Safety Warnings

Please read this manual carefully before using your DS901-120/121 Sectional Plate. Keep this manual handy for future reference. These safety instructions are to ensure the long life of your DS901-120/121 and to prevent fire and shock hazards. Please read them carefully and heed all warnings.

1.1 General

- Qualified ALTINEX service personnel, or their authorized representatives, must perform all service.

1.2 Installation Precautions

- For best results, place the DS901-120/121 on a flat, leveled surface in a dry area away from dust and moisture.
- To prevent fire or shock, do not expose this unit to water or moisture. Do not place the DS901-120/121 in direct sunlight, near heaters, or heat-radiating appliances, or near any liquid. Exposure to direct sunlight, smoke, or steam can harm internal components.
- Handle the DS901-120/121 assembly carefully. Dropping or jarring can damage the unit.
- To turn off the main power, disconnect the power cord, which powers the AC socket on the DS901-120/121 pop-up panel. The power outlet used should be installed as near to the equipment as possible and should be easily accessible.

2. Installation Procedures

See Diagrams 2 through 7 of the online manual for installation details.

- Step 1. Disconnect all power cords that are connected between an AC receptacle and the PNP unit being modified.
- Step 2. If the panel that is being replaced has any cables attached to it, disconnect those as well. This would include all power and signal cables.
- Step 3. Remove the top of the PNP unit. There are four screws holding the top of the unit to the chassis.
- Step 4. Lift the top of the PNP (including table cutout) by lifting straight up on the cutout.
- Step 5. Slide out the existing panel by pulling straight up on the panel.

CAUTION: If there are cables attached to the panel, carefully guide them up through the bottom of the PNP chassis. Depending on the number and size of the cables and connectors, it may be necessary to feed each one through the opening in the bottom individually.
- Step 6. Route DS901-120/121 cables down through the top of the PNP. Feed the cables through the opening at the bottom of the chassis. The cables must exit the chassis on the same side as the panel. The cables must not cross to the opposite side or past the gas spring.

HINT: Use two people if necessary. One gently pulls the cables from the bottom while the other feeds them from the top.
- Step 7. Replace the top of the PNP using the same four screws.
- Step 8. Connect all DS901-120/121 cables to their appropriate sources/destinations. Reconnect any cables disconnected at the beginning of the installation.
- Step 9. The DS901-120/121 is ready for operation.

3. Limited Warranty/Return policies

Please see the ALTINEX website at www.altinex.com for details on warranty and return policies.

- ALTINEX recommends using wall outlets with a Ground Fault Circuit Interrupter (GFCI) for maximum protection.
- Install all cables according to the instructions. Do not force or pull out any cable or power cord that is attached to the DS901-120/121

1.3 Cleaning

- Surfaces should be cleaned with a dry cloth. Never use strong detergents or solvents, such as alcohol or thinner. Do not use a wet cloth or water to clean the unit.

1.4 FCC Notice

- This device complies with Part 15 of the FCC Rules. Operation is subject to the following two conditions: (1) This device may not cause harmful interference, and (2) this device must accept any interference received, including interference that may cause undesired operation.
- This equipment has been tested and found to comply with the limits for a Class A digital device, pursuant to Part 15 of the FCC Rules. These limits are designed to provide reasonable protection against harmful interference when the equipment is operated in a commercial environment. This equipment generates, uses, and can radiate radio frequency energy and, if not installed and used in accordance with the instructions found herein, may cause harmful interference to radio communications. Operation of this equipment in a residential area is likely to cause harmful interference in which case the user will be required to correct the interference at his own expense.
- Any changes or modifications to the unit not expressly approved by ALTINEX, Inc. could void the user's authority to operate the equipment.

4. Technical Specifications

Specifications are subject to change. See www.altinex.com for up-to-date information.

Features/Description	DS901-120/121
DS901-120	Pass-Through Connections
Video (1)	15-pin HD female to male
Power (2)	NEMA 5-15R to NEMA 5-15P
Network (2)	RJ-45 female to RJ-45 male
Modem (1)	RJ-11 female to RJ-11 male
Stereo Audio (1)	3.5mm female to 3.5mm male
DS901-121	Pass-Through Connections
Power (2)	NEMA 5-15R to NEMA 5-15P

Table 1. DS901-120/121 General

Mechanical	DS901-120/121
Height	3.435 in. (87.3 mm)
Width	2.862 in. (72.7 mm)
Finish	Black Anodize
T° Operating	10°C-35°C
T° Maximum	40°C
Humidity	90% non-condensing

Table 2. DS901-120/121 Mechanical

Electrical	DS901-120/121
Power Rating (pass through AC power)	120VAC, 60Hz, 5A

Table 3. DS901-120/121 Electrical

5. About Your DS901-120/121

The DS901-120 and DS901-121 are sectional plates for use with the PNP415/417C Pop 'N Plug Interconnect Box. The sectional plates offer female receptacles in the pop up panel and six foot long cables running from the panel down to their equivalent male plugs at the opposite end.

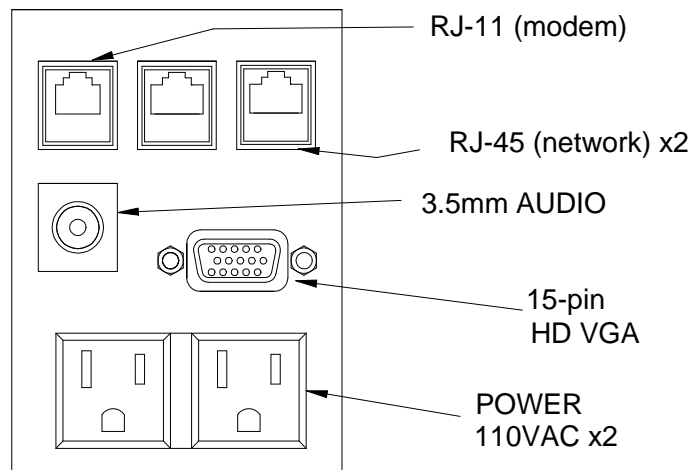
DS901-120 Audio/Video Sectional Plate

The DS901-120 is preconfigured with 2 AC power receptacles a single 15-pin HD (computer video) connector, 2 RJ-45 (network) connectors, one RJ-11 (modem) connector and one 3.5mm stereo audio connector.

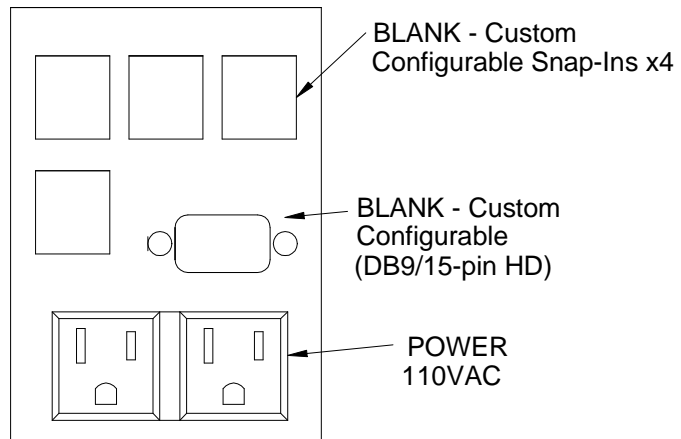
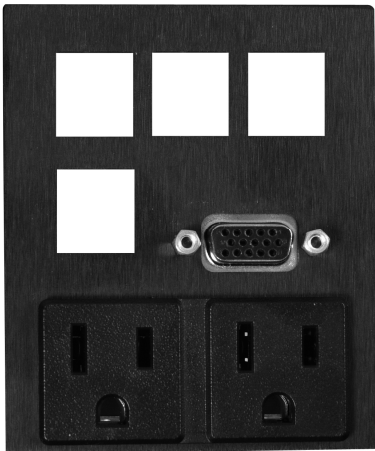
DS901-121 Customizable Sectional Plate

The DS901-121 is preconfigured with 2 AC power receptacles and five blank positions that may be custom configured. Four of the custom positions may be configured with any combination of available audio, video and/or control connector/cable assemblies. These include RJ-45 (UTP) connectors, RJ-11 (modem) connectors, 3.5mm audio connectors, LED indicators, or any other connectors that fit the size of the opening and are available from ALTINEX. The remaining blank position may be fitted with a 9-pin connector or a 15-pin HD connector.

DS901-120



DS901-121



NOTE: The default DS901-121 connector installation is shown in the above diagram. Various combinations of connectors, along with the applicable cable types, may be selected for customization at the time of purchase.

Please, see the ALTINEX website www.altinex.com for specific customization options and instructions.

6. Application Diagrams

Diagram 1: Typical Setup

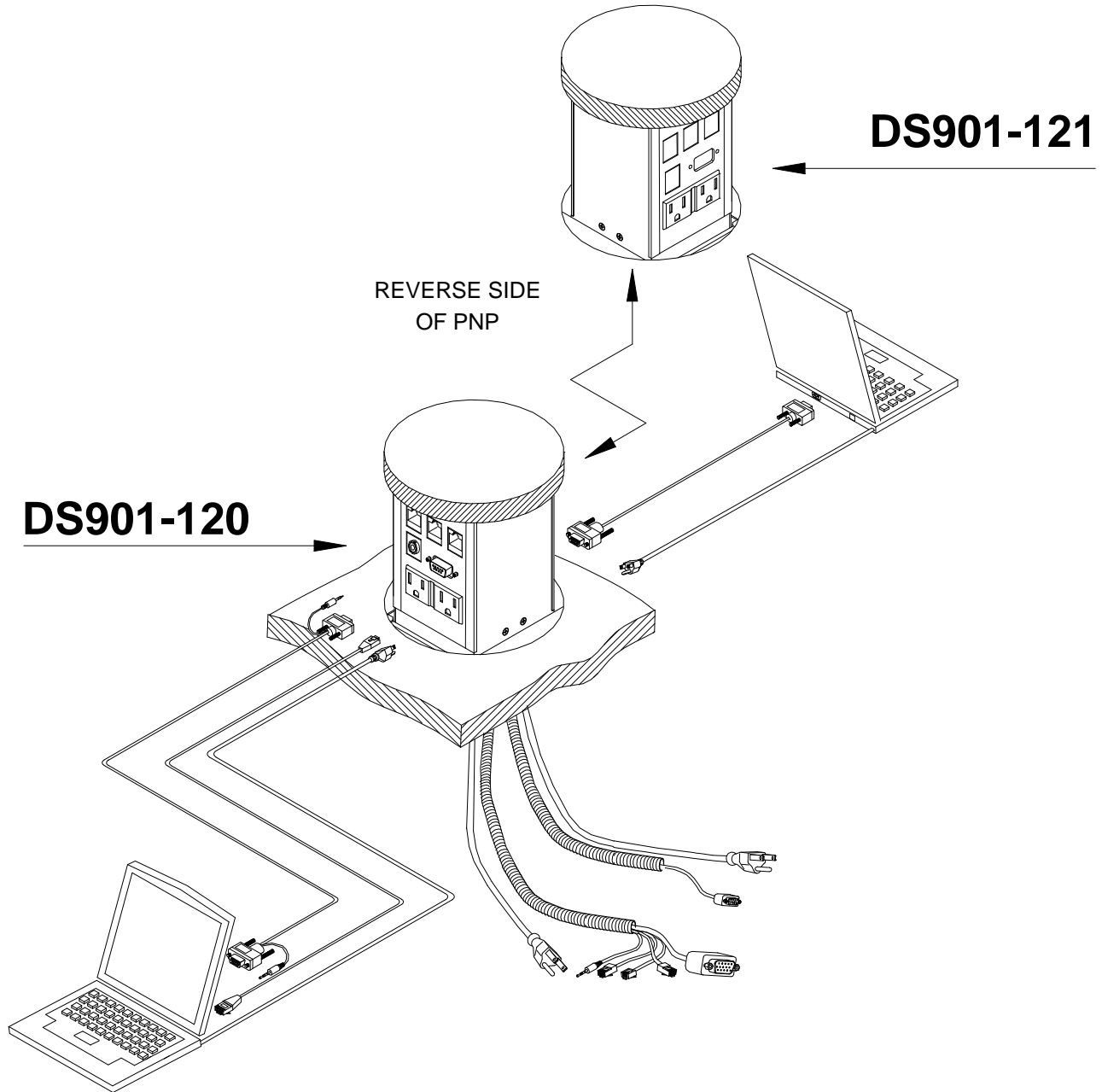


Diagram 2: Installation Step 1

Remove 4 screws.

The screws are located at the top of the side metal. There are two (2) screws per side.

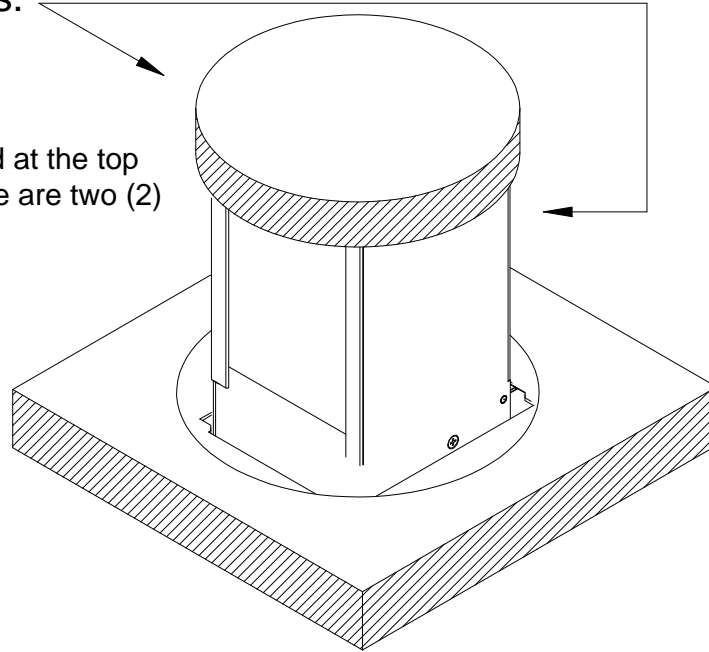


Diagram 3: Installation Step 2

Remove Top Cover

Remove the top cover by lifting straight up.

4 screws removed in previous step.

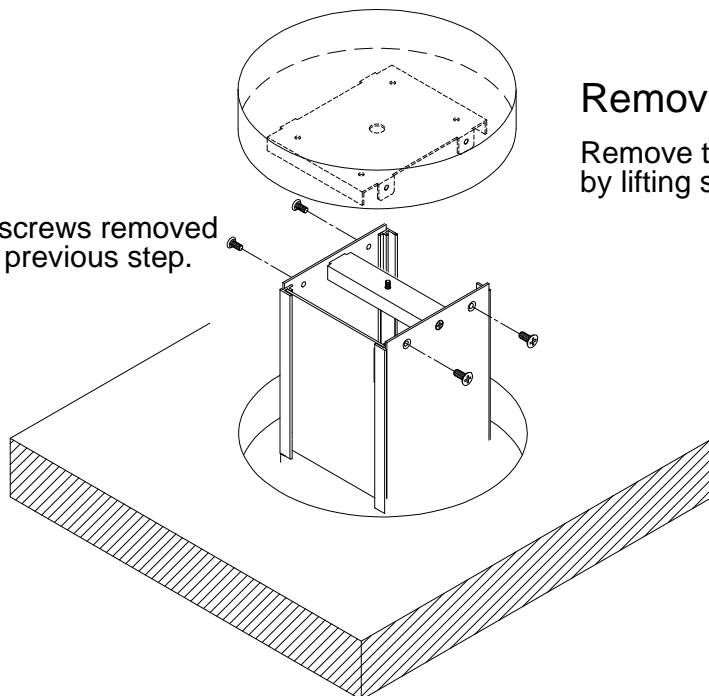
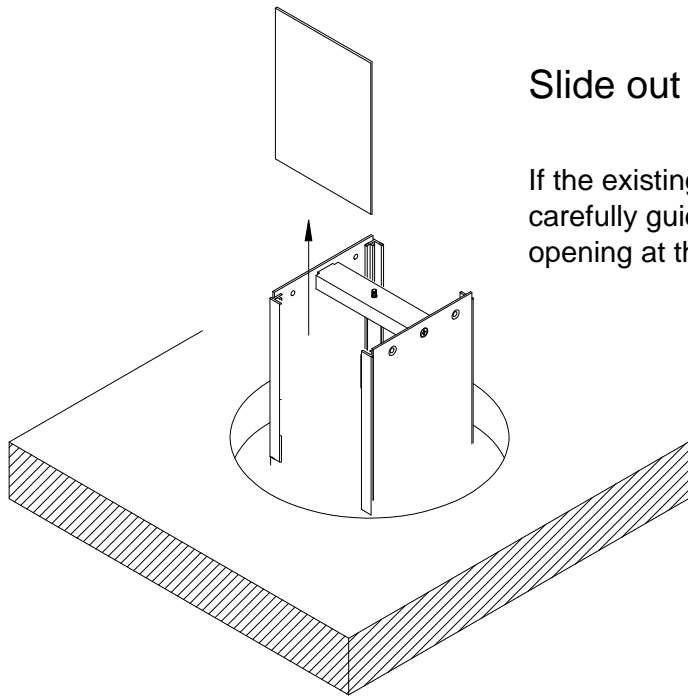


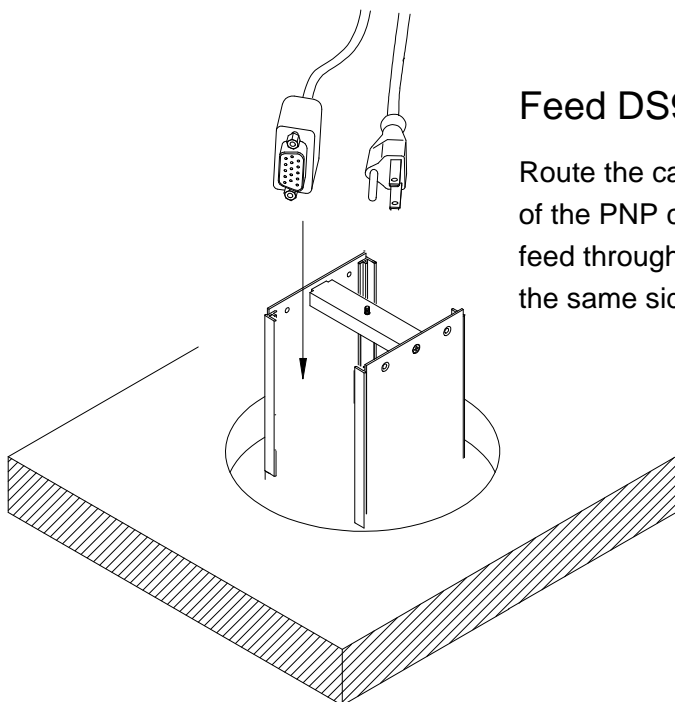
Diagram 4: Installation Step 3



Slide out existing panel.

If the existing panel has cables attached, carefully guide them through the opening at the bottom of the unit.

Diagram 5: Installation Step 4



Feed DS901-120/121 Cables

Route the cables down from the top of the PNP chassis. Make sure the cables feed through the bottom of the unit on the same side as the new panel.

Diagram 6: Installation Step 5

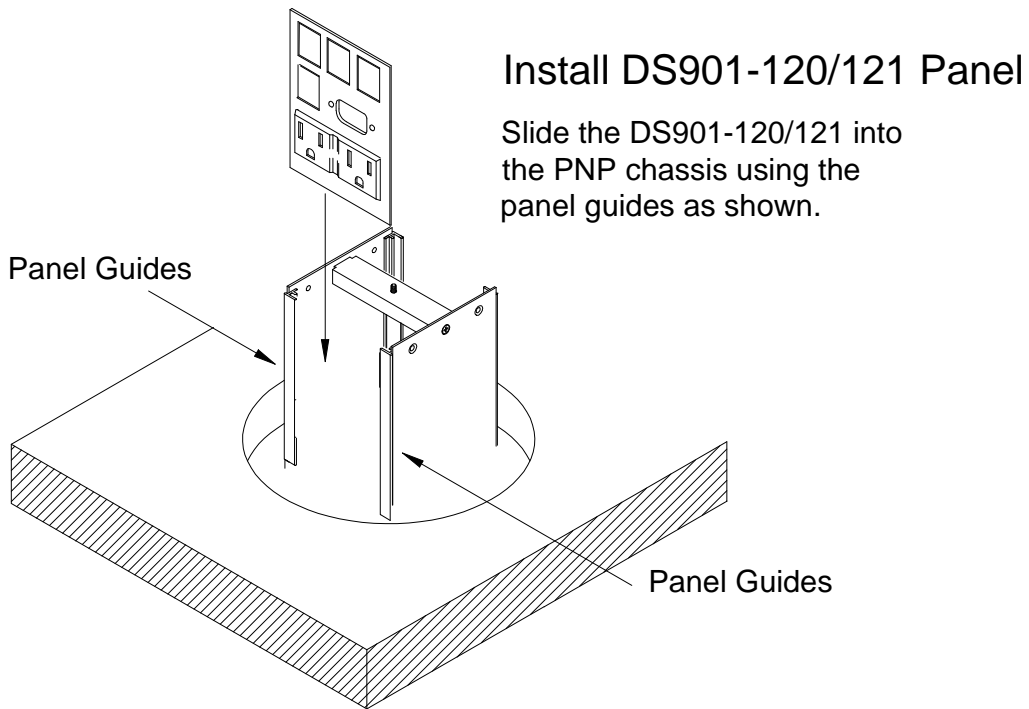
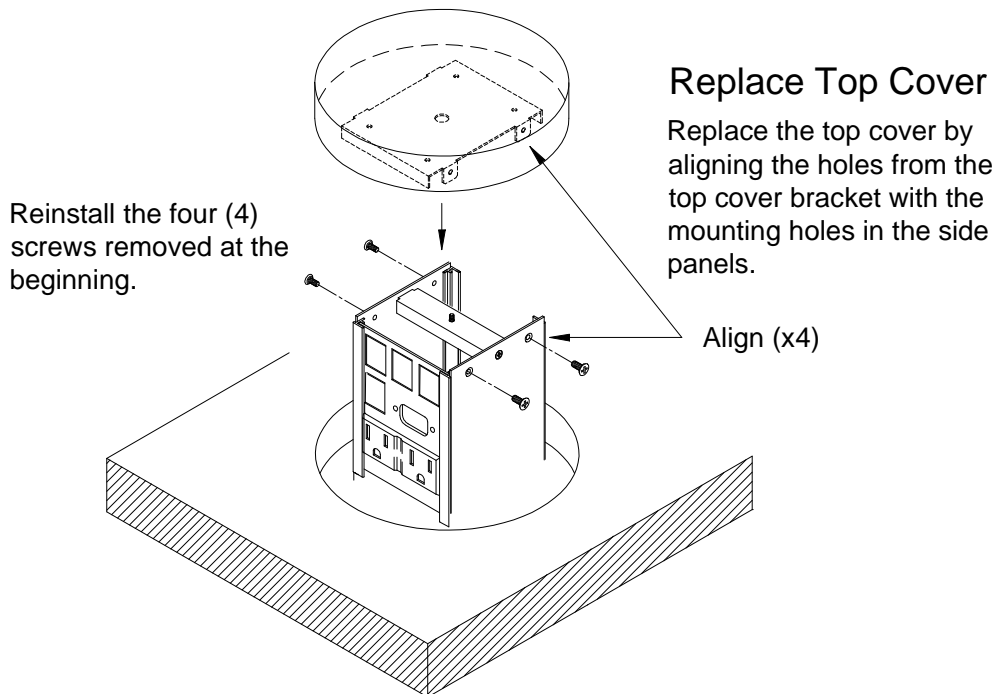


Diagram 7: Installation Step 6



7. Operation

7.1 General Operation

The DS901-120/121 does not require any adjustments for proper operation. Once installed, the DS901-120/121 will operate trouble free with no user intervention.

7.2 Power/Signal Connections

Connect external devices to the appropriate connector on the DS901-120/121. Remember, the devices plugged into the AC power connectors should not draw more than 5A AC.

8. Troubleshooting Guide

We have carefully tested and have found no problems in the supplied DS901-120/121. However, we would like to offer suggestions for the following:

- Please make sure that the highest quality network cables are used.
- Make sure that no cable or power cord is damaged or pinched. If there has been damage to the unit, do not use the DS901-120/121. Please contact ALTINEX at (714) 990-2300 to have the unit repaired.