

Welcome!

Everyone at Altinex greatly appreciates your purchase of the ShareTime Retractable HDMI cable. We are confident that you will find it to be reliable and simple to use. If you need support, please do not hesitate to call us at 714-990-2300.

At Altinex, we are committed to developing unique and state of the art Signal Management Solutions® for demanding audiovisual installations. Welcome to the Altinex family of satisfied customers around the world!

1. Precautions and Safety Warnings

Please read the manual entirely before using your ShareTime Cable. You can download a full version of this manual at www.altinex.com. These safety instructions are to ensure the reliable operation of your ShareTime and to prevent fire and shock hazards. Please read carefully and heed all warnings.

1.1 General

- ShareTime Cable CB300-101 contains a micro USB programming connector that allows users to update the firmware of their unit when additional capabilities are developed by our engineering team.
- ShareTime Cable CB300-101 contains a Li-Ion battery to provide the desired features and capabilities.

1.2 Installation Precautions

- To prevent fire or shock, do not expose this unit to water or moisture. Do not place the ShareTime Cable CB300-101 in direct sunlight, near heaters or heat-radiating appliances, or near any liquid. Exposure to direct sunlight, smoke, or steam can harm internal components.
- Handle the unit with care; dropping or jarring can cause damage.

- Do not abusively pull any cables that are attached to the CB300-101. Hold the CB300-101 firmly.

1.3 Cleaning

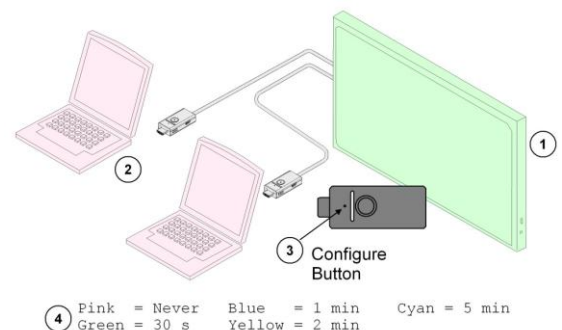
- Clean the ShareTime Cable CB300-101 with a dry cloth only. Never use strong detergents or solvents such as alcohol or thinner. Do not use a wet cloth or water to clean the connectors.

1.4 FCC Notice

- This device complies with Part 15 of the FCC Rules. Operation is subject to the following two conditions: (1) This device may not cause harmful interference, and (2) this device must accept any interference received, including interference that may cause undesired operation.
- This equipment has been tested and found to comply with the limits for a Class B digital device, pursuant to Part 2 of the FCC Rules. These limits are designed to provide reasonable protection against harmful interference when the equipment is operated in a commercial environment. This equipment generates, uses, and can radiate radio frequency energy and, if not installed and used in accordance with the instructions found herein, may cause harmful interference to radio communications. Operation of this equipment in a residential area is likely to cause harmful interference in which case the user will be required to correct the interference at their expense.
- Any changes or modifications to the unit not expressly approved by Altinex, Inc. could void the user's authority to operate the equipment.

2. Installation Procedures

- Step 1. Connect CB300-101 cable to a CEC capable display or switcher. Make sure CEC capability is enabled on the monitor. Some monitors have it defaulted to OFF.
- Step 2. Plug the ShareTime control side of CB300-101 into the laptop HDMI source. The LED flashes white briefly indicating a connection, then it flashes to indicate the input number and green to indicate that the video is on the display. If the TV is off, the ShareTime turns it on.
- Step 3. To configure the CB300-101 shutdown time, press the configuration button with a paper clip.
- Step 4. The various flashing colors represent the choices available. To select a time, wait for the desired color to start blinking and then press the button again. The LED turns solid on the selection.



The CB300-101 is now ready for operation. Section 7 of this manual will explain how to setup configuration button user features and operational features through the circular touchpad just once.

3. Warranty and Return Policies

Please visit the Altinex website at www.altinex.com for details on warranty and return policies. In the case of a unit needing repair, please fill out the RMA (return material authorization) form located on the bottom left hand corner of the Altinex homepage. Once filled out, please email the form to support@altinex.com.

4. Technical Specifications

Specifications are subject to change due to continuous product developments. See www.altinex.com for up-to-date information.

Features/Description	Specification
CB300-101 (10 ft., 3m)	
Output	
Output Connectors	HDMI M, Type A
Input	
Input Connectors	HDMI M, Type A
Compatibility	
Signal Types	HDMI
Signal resolution	Standard HDMI resolutions
Agency Approval	
FCC	FCC class A

Table 1. CB300-101 General

Mechanical	Specification
Material (Housing)	ABS Plastic
Material (Flat cable)	PVC
Color	Black
Height	0.58 in (15 mm)
Width	1.1 in (28 mm)
Depth	2.7 in (68 mm)
Total Weight	0.85 lb. (0.39 kg)
Flat Cable Length	10 ft. (3.05 m)
T° Operating	10°C-35°C (50°F-95°F)
T° Maximum	50°C (122°F)
Humidity	90% non-condensing
MTBF (tested.)	68,000 hrs.

Table 2. CB300-101 Mechanical

Electrical	Specification
Cable Gauge	36AWG
Voltage Rating for Cable	30V
Video Output Signal	
Digital Signal Level	Pass-through
Power	
5V DC	25 mW
Amplifier	Built in for 1080p

Table 3. CB300-101 Electrical

Color	Shutdown Time
Pink	Never
Green	30 seconds
Blue	1 minute
Yellow	2 minutes
Cyan	5 minutes

Table 4. CB300-101 LED pattern

HDMI, the HDMI Logo, and High Definition Multimedia Interface are trademarks or registered trademarks of HDMI Licensing LLC in the United States and other countries.

5. About Your CB300-101

- Easy collaborative control of display input switching
- Automatically powers display ON and OFF (with CEC monitors)
- HDMI compliant cable with internal boost
- Compact design allows for easy plug & play
- Use as many collaborative controllers as the number of HDMI inputs available
- Compatible with all switchers and displays that comply with CEC commands
- 10 feet of high-quality flat cable

The CB300-101 HDMI cable is a revolutionary HDMI collaborative display controller that allows cooperative display control using a high quality CEC controller and cable in a single assembly. Multiple CB300-101 HDMI cables allow multiple users to connect to one display and work together as they seamlessly switch between multiple sources, allowing for collaborative teamwork and cable organization. . The HDMI cable contains a built-in amplifier to maintain HDMI signal integrity. The CB300-101 has 10 ft. of high quality flat cable.

In a typical application, users connect the flat HDMI cable to a monitor input and then connect the other end of the cable to the source. As soon as the ShareTime compact unit is plugged into an HDMI laptop output, a white light flashes briefly indicating a connection and then the LED flashes to indicate the input number of the TV. The LED then turns a solid green and the video is displayed on the TV.

If the TV is in stand-by mode, the CB300-101 automatically turns it on and selects the proper input to assure that the image is properly displayed. Any number of ShareTime units can be used together to form a collaboration station with a single TV. The CB300-101 constantly monitors its environment by default. When the last CB300-101 is disconnected from the HDMI source, the TV is turned off after the configured shutdown time.

The CB300-101 can easily be used with any CEC compatible switchers to create a larger multiuser collaborative solution. Its small and flat cable design allows users to have an easy plug and play experience with instant collaboration. The launch of the UT260-041 and UT260-052 under table HDMI switchers, is a great addition to the overall collaborative experience.



6. Application Diagrams

Diagram 1: Typical Setup

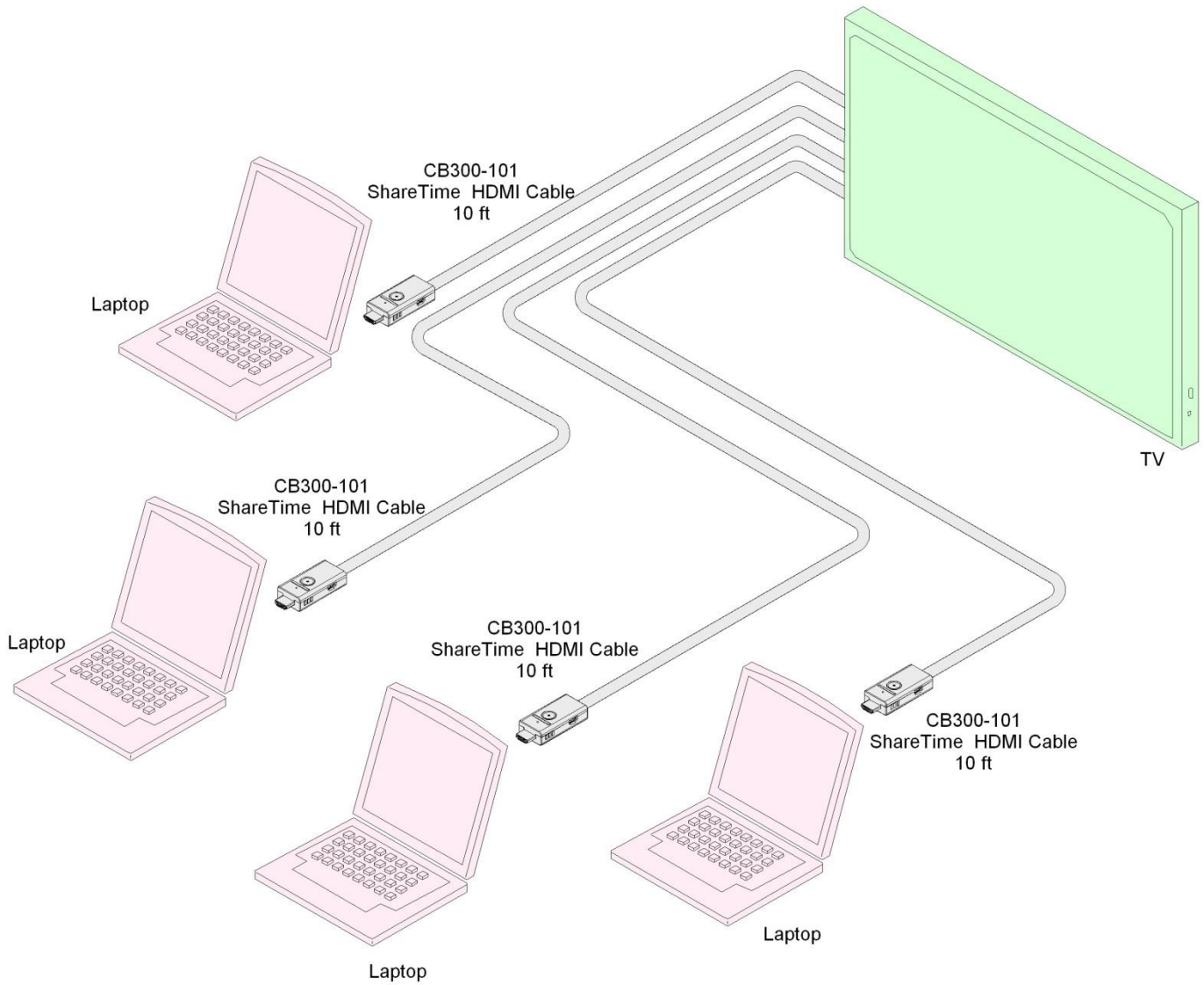


Diagram 2: CB300-101 Internal View

CB300-101 SHARETIME HDMI CABLE

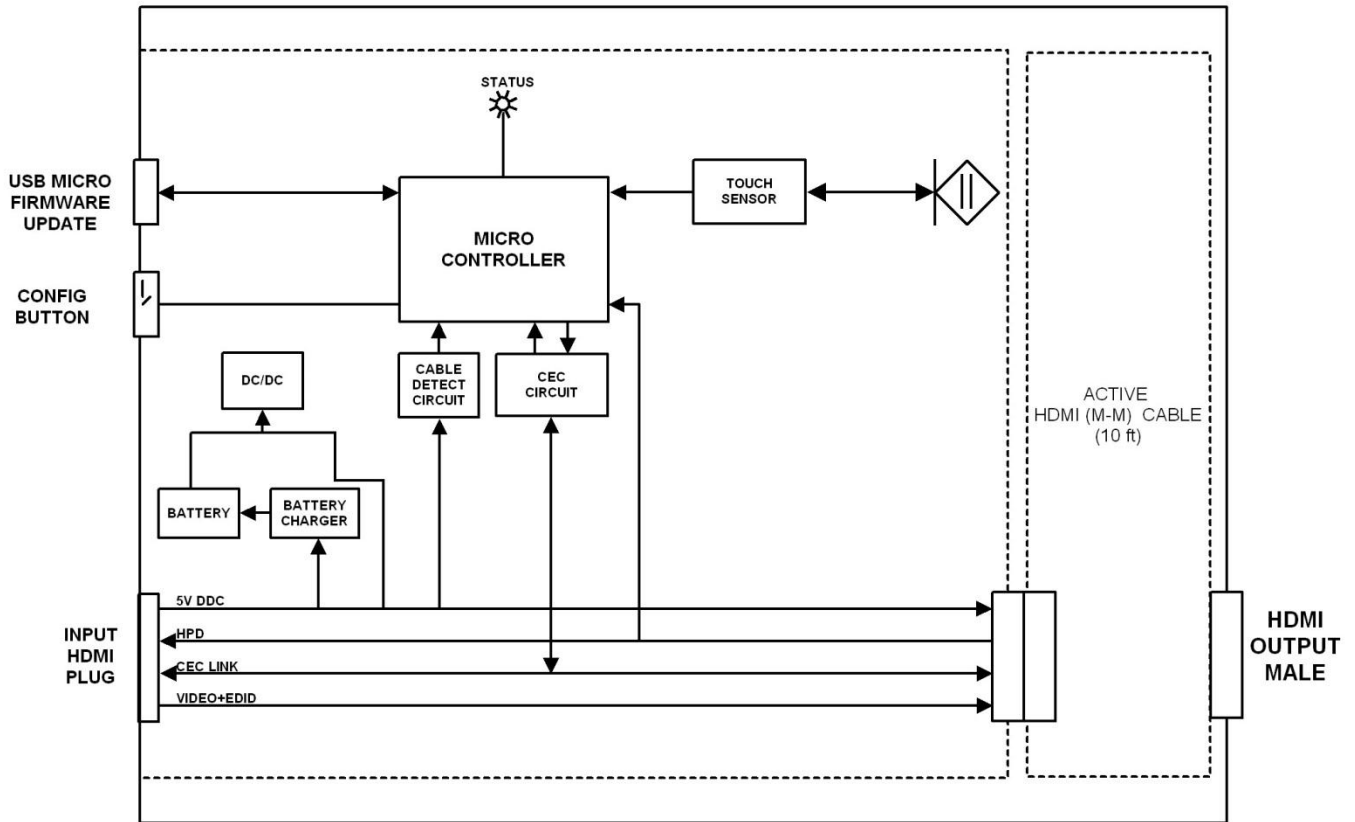
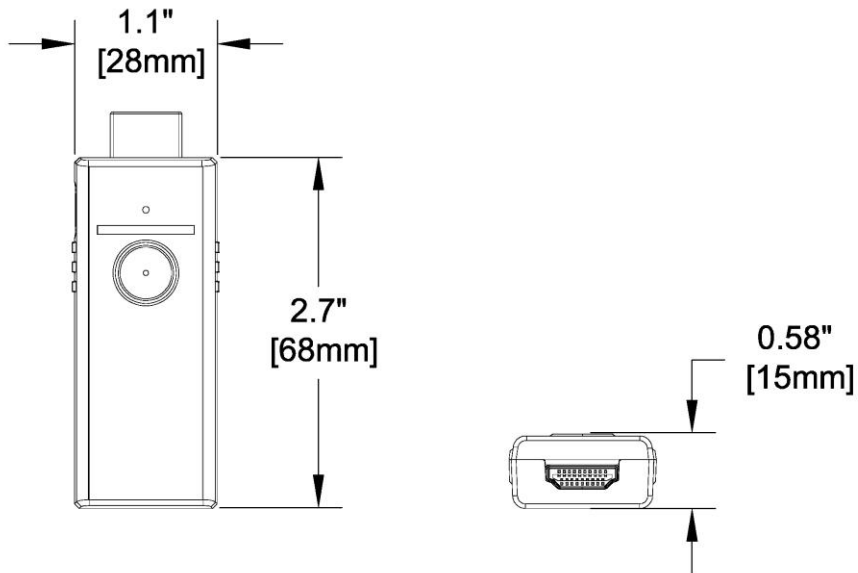


Diagram 3: CB300-101 Dimensions



7. Operation

Getting Started

Plug the CEC controller with the circular touch button into a laptop HDMI output and the white LED flashes briefly. The CB300-101 reads its input number from the TV and then flashes the white LED to indicate the input number on the TV. The number of flashes corresponds to the input number (one flash indicates input one, two flashes indicate input two, and so forth).

Note: If there is a problem reading the input, the LED flashes pink until successful. If the LED flashes for more than 10 seconds, there is most likely a problem with the cable or the TV does not support CEC.

After a few seconds, the LED turns a solid green and the video is displayed. If the CB300-101 is in standby mode, the CB300-101 LED immediately turns solid green when reconnected to the laptop.

In order to manually turn off the TV, press and hold the circular touchpad. The LED flashes red after about 5 seconds and then becomes a solid red after another 5 seconds. While the LED is solid red, release the touchpad. At this point, the CB300-101 turns the TV off. To turn the TV back on, unplug the CB300-101 from the HDMI source and plug it back in.

Unplugging the CB300-101 from the HDMI source starts the shutdown timer. A green LED flashes briefly every second of the countdown timer.

Under its own power, the cable retract backs. For better longevity, it is recommended to guild the cable back.

Note: If other CB300-101 units are active, the CB300-101 will shut down after a few seconds and there will be no power off from that CB300-101.

A CB300-101 unit with a solid white LED indicates that a source is present but not displayed on the TV. Touch and release the touchpad to turn the LED green and displays the video on the TV. If another CB300-101 is displaying video on the TV, its LED turns white and its video is no longer displayed.

Remote Control

To shut down all CB300-101 units immediately, a remote control can be used to turn off the TV. After shutting down the TV, the CB300-101 units must be disconnected from the source and then reconnected to start the TV. The CB300-101 units also reflect the changes made when a user changes the input with a TV remote control.

Note: If the CB300-101 units are in standby mode and a remote control is used, the units shut down immediately and there is no countdown to turn off the TV.

Touchpad Features

The circular touchpad has many features in addition to setting a source as active. Holding it down for a number of seconds allows different actions. As the LED cycles through different colors, release on the color described in the table below to select that option.

For example, release when solid red turns off the TV.

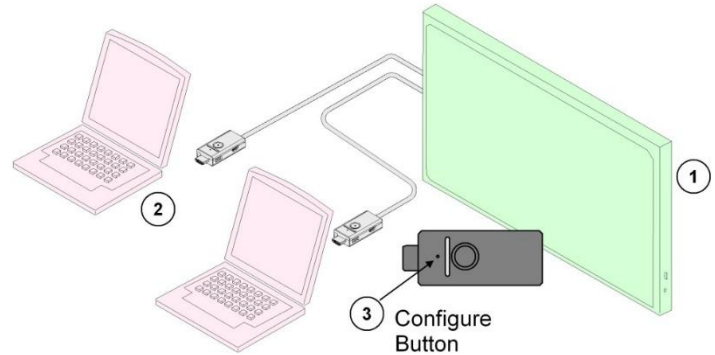
Action (times are	LED	Upon Release
Touch and Release	Green*	Set as active source
Hold +3 sec	Flash Red	Return to normal operation
Hold +2 sec	Red	Turn off TV
Hold +8 sec	Blue	Enable TV detection and reset
Hold +11 sec	Yellow	Disable TV detection and reset
Hold +12 sec	OFF	Return to normal operation

* If configured for UT240-041 LED toggles active/inactive

TV detection is a special feature and can be enabled or disabled. If enabled, the CEC controller periodically sends a signal to verify its input number. If a physical TV input change is detected, the CP300-101 automatically restarts using the new input. This should not be enabled unless there is a possibility the TV input cable might be moved during normal operation. Ideally, user do not have access to the TV input.

Configuration Button Setup

- Step 1. Make sure CEC capability and standby mode are enabled on the TV. Some TVs are defaulted to off.
- Step 2. Plug the CB300-101 into the laptop HDMI source. The LED flashes white to indicate the input number and green to indicate that the video is on the display. At this point, if the TV is off it turns on.
- Step 3. To configure the CB300-101 shutdown time, press the configuration button with a paper clip.
- Step 4. The various flashing colors represent the choices available. To select a time, wait for the desired color to start blinking and then press the button again. The LED turns solid on the selection.



- ④ Pink = Never Blue = 1 min Cyan = 5 min
 Green = 30 s Yellow = 2 min

Configuration Button Features

The configuration button has additional features using the press and hold option.

A quick press and release has the LED indicate the current TV off time and allows for selection of a new TV off time.

Press and hold until the LED turns blue and then release. The controller flash the version number of the internal firmware.

Press and hold until the LED turns yellow and then release.

The controller flashes the physical address of the collaborative controller within the system. For example, the physical address 1.2.0.0 indicates that the collaborative controller is connected to input 2 of a HDMI interface that leads to the input 1 of the destination. Red flashes twice, blue flashes once, followed by quick flashes from green and yellow indicating zero.

Press and hold until the LED turns cyan and then release. The LED flashes red or green indicating a failure or a pass of the internal CEC circuit inside the controller.

Press and hold until the LED turns off and then release. If the LED turns off no selections were made. Release to return to normal operation with no changes.

Action	LED	Upon Release
Press and Release	ON	The LED turns on to indicate the current TV off time and then the LED starts flashing to allow TV off time selection
Hold 2 sec	Blue	Flash version number of times; the color and flashes vary by version
Hold 4 sec	Yellow	Flash the physical address. Physical address = A.B.C.D. A = Blue B = Red C = Green D = Yellow
Hold 6 sec	Cyan	Test the CEC in circuit. The LED flashes green 3 times indicating the circuit is working; red if there is a failure
Hold 8 sec	Red	Set select plus de select operation then reset. **
Hold 10 sec	Pink	Set for active operation only; no de-select. **
Hold 12 sec	OFF	Return to normal operation; no changes.

** Reset upon selection

Updating Firmware:

1. Download and install the firmware update from www.altinex.com.
2. Connect ShareTime to a PC using USB Type A to Micro USB. Once connected, the LED turns a solid color and then briefly turns off. The CB300-101 then flashes the appropriate number of times corresponding with a color to notify the user what version they currently have.

4	5	6	7	8
Blue	Yellow	Pink	Cyan	Green

After this notification, the LED again briefly turns off and then becomes a solid color depending on the current firmware loaded. When the LED is a solid color, launch the update application.

3. Select Program from the menu to run the application.
4. After the update is complete, the LED flashes blue once more to indicate the NEW version number.
5. Disconnect the USB cable from the CB300-101 and remove from the source, if connected. Wait 3 seconds and reconnect to the HDMI source.
6. ShareTime is now ready with new firmware.



8. Troubleshooting Guide

We have carefully tested the CB300-101 prior to it leaving the factory. However, we would like to offer suggestions for the following:

CB300-101	
Symptom	Resolution
LED does not turn on	Make sure that the unit is fully inserted into the HDMI connector and that the video output is set up to mirror the display of the laptop.
Display does not turn ON	<ol style="list-style-type: none">1. Make sure the display has fully powered OFF. During power OFF, the sequence monitor may not understand the power ON command.2. Connect the CB300-101 first to the display, using an HDMI cable, and then connect CB300-101 to your laptop.3. The display may not be CEC compatible.